

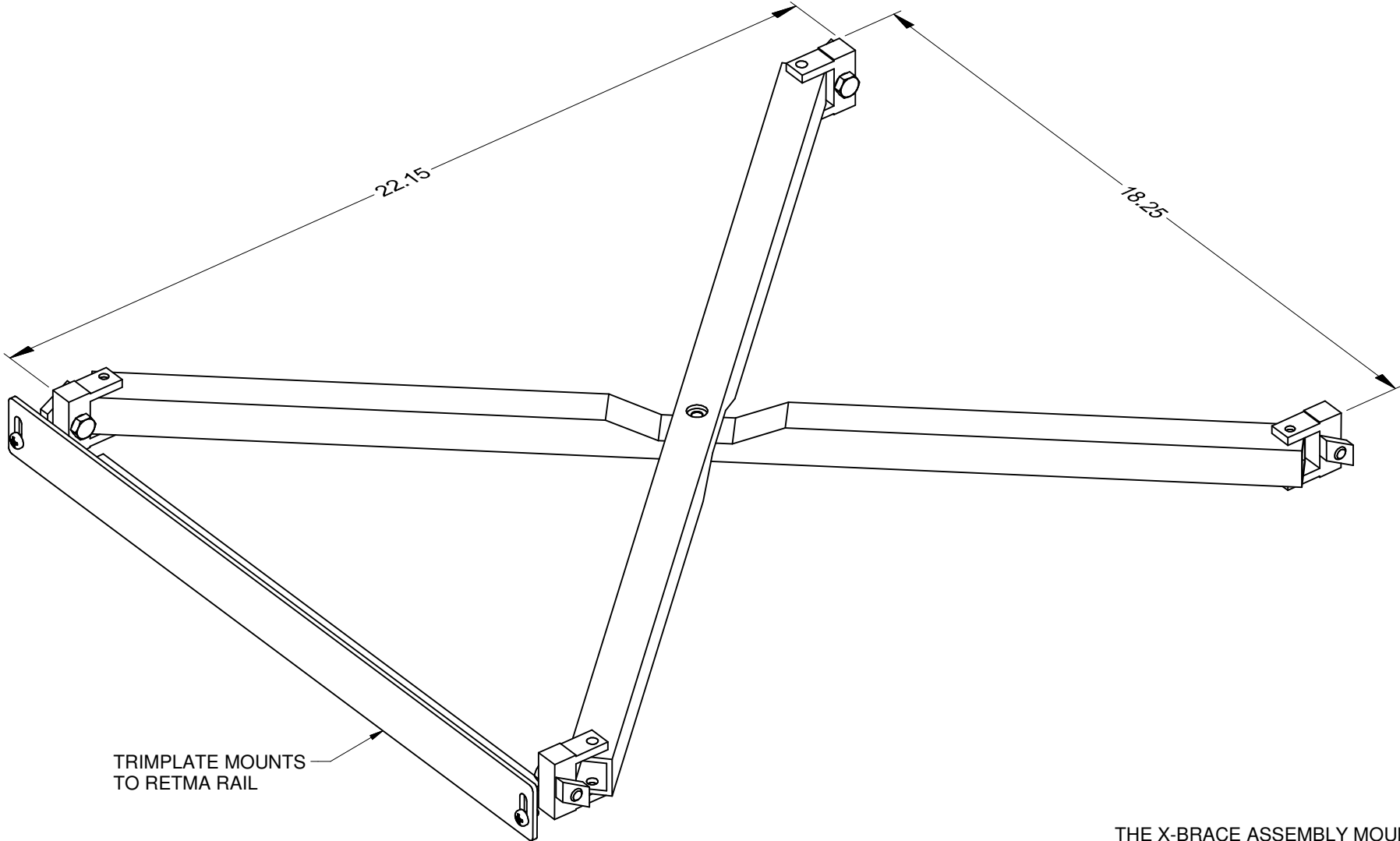
4

3

2

1

REVISIONS				
ZONE	REV.	DESCRIPTION	DATE	APPROVED BY



TRIMPLATE MOUNTS TO RETMA RAIL

THE X-BRACE ASSEMBLY MOUNTS TO THE TEE-SLOTS OF THE RACK ASSEMBLY FOR ADDED SUPPORT PRIMARY FOR SHIPPING. VARIOUS SIZES AVAILABLE DEPENDING ON THE DEPTH OF THE RACK.

CUSTOMER REQUIREMENTS FOR CUSTOM OR MODIFIED INSTALLATION KITS MAY BE DESIGNED TO SATISFY ANY NEW EQUIPMENT REQUIREMENT UPON RECEIPT OF CUSTOMER SPECIFICATION AND/OR INTERFACE CONTROL DRAWINGS.

X-BRACE ASSEMBLY  
W/ TRIMPLATE (STANDARD RACK)  
PART NO. 150-001

PROPERTY OF A & J MANUFACTURING COMPANY  
THIS DOCUMENT SHALL NOT BE REPRODUCED, COPIED, DISCLOSED OR USED AS A BASIS FOR MANUFACTURING EQUIPMENT WITHOUT WRITTEN PERMISSION FROM A & J MANUFACTURING CO.

Last Edit: 4/22/2015 11:00

4

3

2

1

DWG No. 150-001X  
SH 1  
REV