

4

3

2

1

REVISIONS				
ZONE	REV.	DESCRIPTION	DATE	APPROVED BY

D

D

C

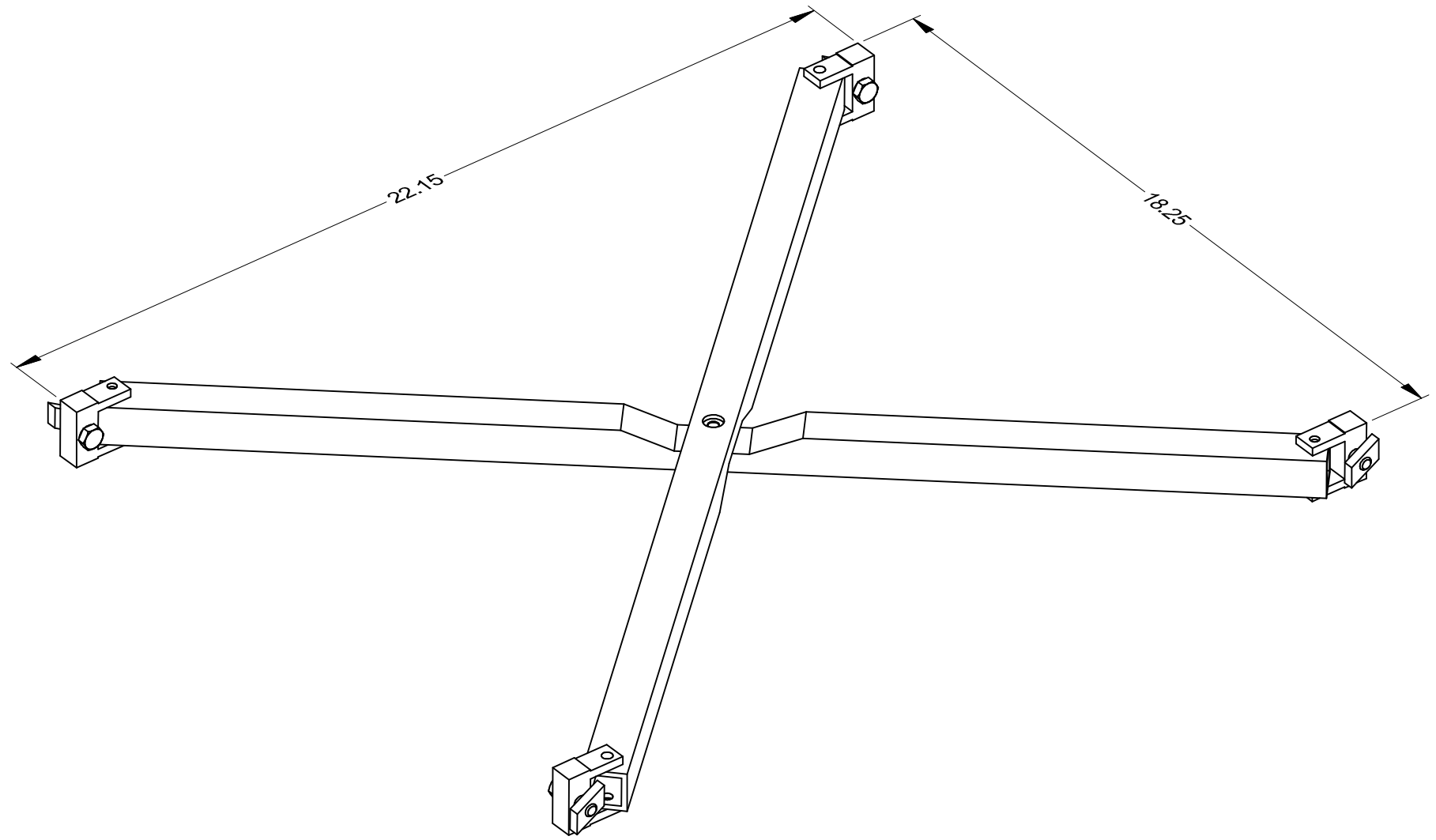
C

B

B

A

A



DWG No. 150-002X  
 SH 1  
 REV 1

THE X-BRACE ASSEMBLY MOUNTS TO THE TEE-SLOTS OF THE RACK ASSEMBLY FOR ADDED SUPPORT PRIMARY FOR SHIPPING.

CUSTOMER REQUIREMENTS FOR CUSTOM OR MODIFIED INSTALLATION KITS MAY BE DESIGNED TO SATISFY ANY NEW EQUIPMENT REQUIREMENT UPON RECEIPT OF CUSTOMER SPECIFICATION AND/OR INTERFACE CONTROL DRAWINGS.

X-BRACE ASSEMBLY  
 (STANDARD RACK)  
 PART NO. 150-002

PROPERTY OF A & J MANUFACTURING COMPANY  
 THIS DOCUMENT SHALL NOT BE REPRODUCED, COPIED, DISCLOSED OR USED AS A BASIS FOR MANUFACTURING EQUIPMENT WITHOUT WRITTEN PERMISSION FROM A & J MANUFACTURING CO.

Last Edit: 4/16/2015 10:00

4

3

2

1