

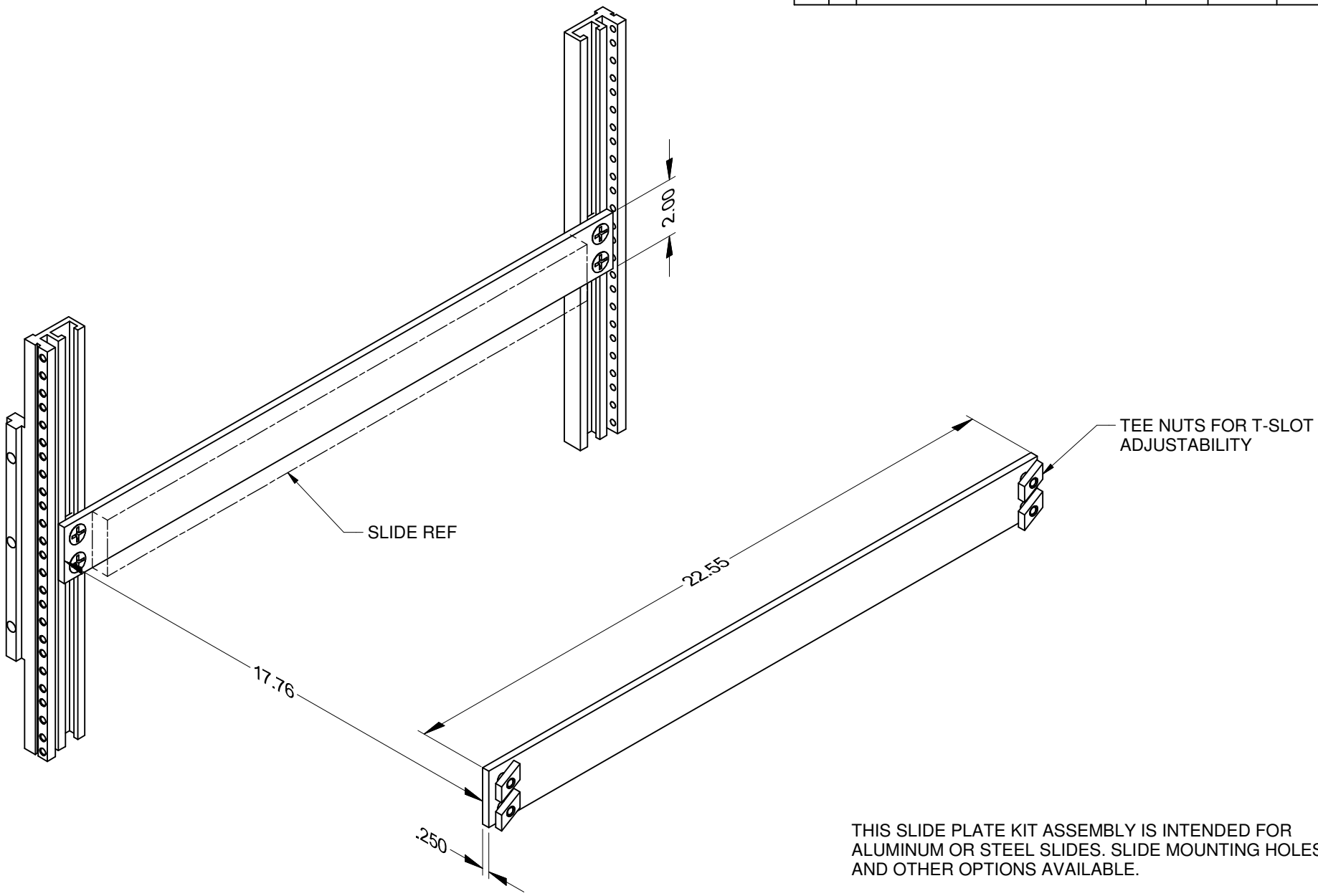
4

3

2

1

| REVISIONS | | | | |
|-----------|------|-------------|------|-------------|
| ZONE | REV. | DESCRIPTION | DATE | APPROVED BY |
| | | | | |



THIS SLIDE PLATE KIT ASSEMBLY IS INTENDED FOR ALUMINUM OR STEEL SLIDES. SLIDE MOUNTING HOLES AND OTHER OPTIONS AVAILABLE.

CUSTOMER REQUIREMENTS FOR CUSTOM OR MODIFIED INSTALLATION KITS MAY BE DESIGNED TO SATISFY ANY NEW EQUIPMENT REQUIREMENT UPON RECEIPT OF CUSTOMER SPECIFICATION AND/OR INTERFACE CONTROL DRAWINGS.

SLIDE PLATE ASSEMBLY (2" HIGH)
PART NO. 150-195

PROPERTY OF A & J MANUFACTURING COMPANY
THIS DOCUMENT SHALL NOT BE REPRODUCED, COPIED, DISCLOSED OR USED AS A BASIS FOR
MANUFACTURING EQUIPMENT WITHOUT WRITTEN PERMISSION FROM A & J MANUFACTURING CO.

Last Edit: 5/7/2015 10:45

4

3

2

1

DWG No. 150-195X

SH 1
REV