

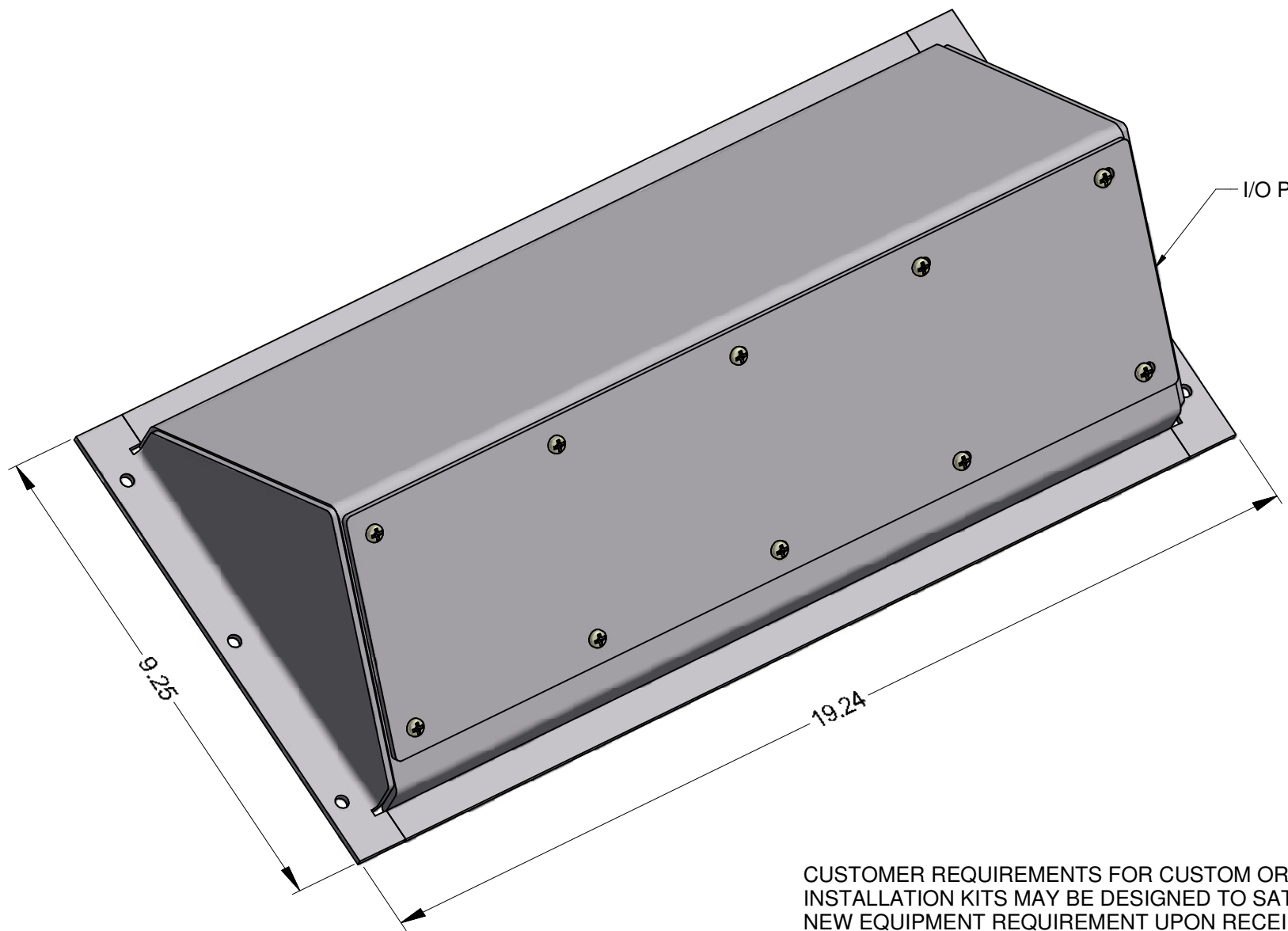
4

3

2

1

REVISIONS				
ZONE	REV.	DESCRIPTION	DATE	APPROVED BY



I/O PANEL

9.25

19.24

CUSTOMER REQUIREMENTS FOR CUSTOM OR MODIFIED
 INSTALLATION KITS MAY BE DESIGNED TO SATISFY ANY
 NEW EQUIPMENT REQUIREMENT UPON RECEIPT OF CUSTOMER
 SPECIFICATION AND/OR INTERFACE CONTROL DRAWINGS.

RAZORBACK - 1 TIER
 (WITH EIA HOLE PATTERN)

PART NO. 150-326

PROPERTY OF A & J MANUFACTURING COMPANY
 THIS DOCUMENT SHALL NOT BE REPRODUCED, COPIED, DISCLOSED OR USED AS A BASIS FOR
 MANUFACTURING EQUIPMENT WITHOUT WRITTEN PERMISSION FROM A & J MANUFACTURING CO.

Last Edit: 4/22/2015 9:30

4

3

2

1

DWG No. 150-326BX

SH 1

REV.