

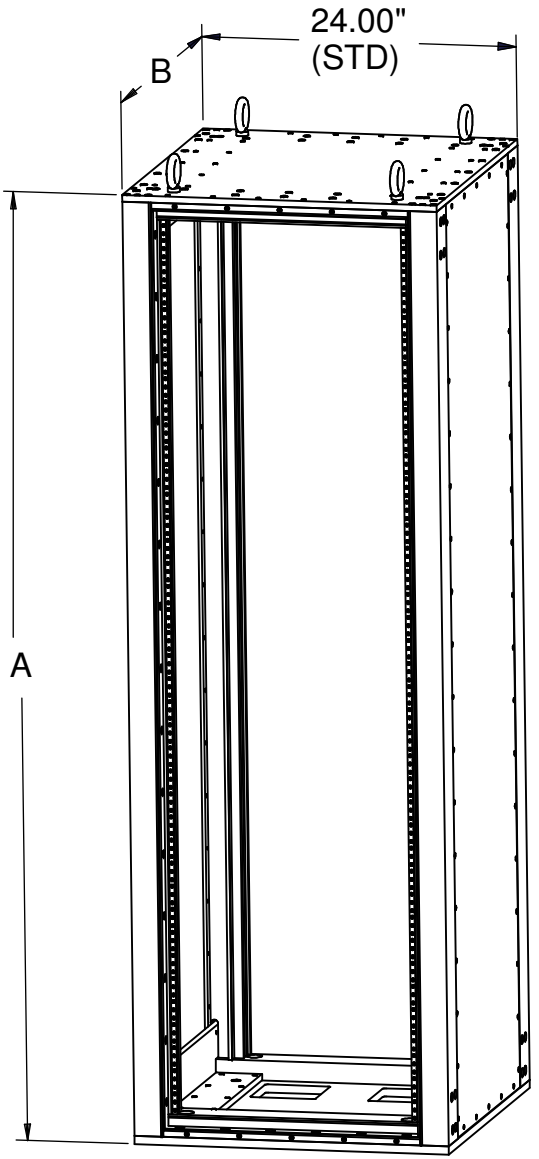
4

3

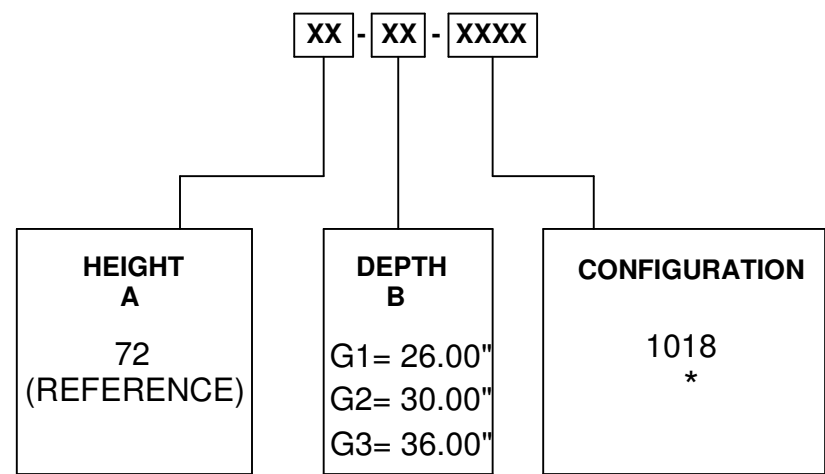
2

1

REVISIONS				
ZONE	REV.	DESCRIPTION	DATE	APPROVED BY



HEAVY DUTY RACKS/CABINETS PART NUMBERING SYSTEM



CUSTOMER REQUIREMENTS FOR CUSTOM OR MODIFIED RACKS/CABINETS MAY BE DESIGNED TO SATISFY ANY NEW EQUIPMENT REQUIREMENT UPON RECEIPT OF CUSTOMER SPECIFICATION AND/OR INTERFACE CONTROL DRAWINGS.

*SEE SUPPORT SECTION "HOW TO ORDER STANDARD RACKS/CABINETS".

4

3

2

1