

4

3

2

1

REVISIONS				
ZONE	REV.	DESCRIPTION	DATE	APPROVED BY

D

D

C

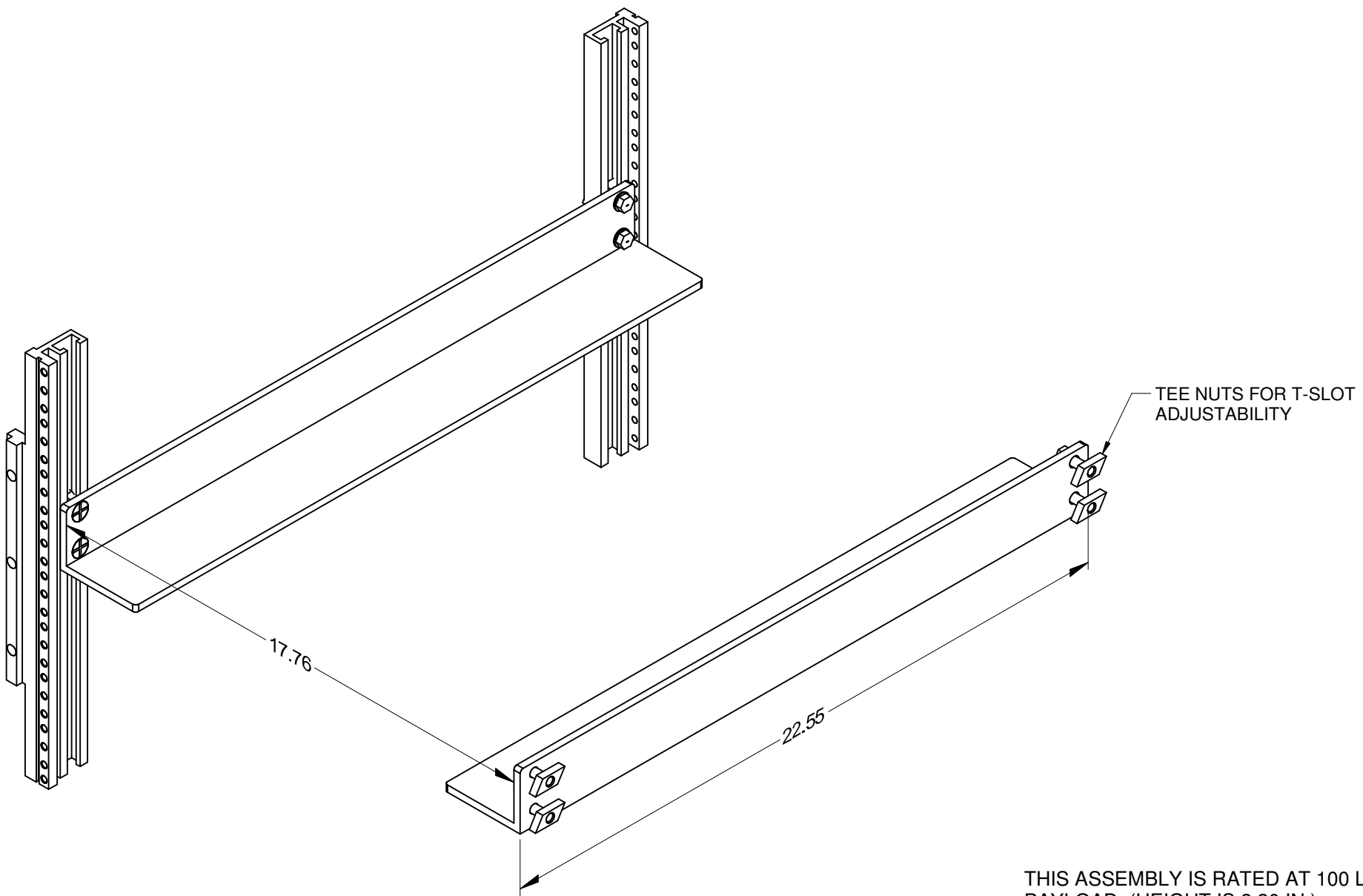
C

B

B

A

A



THIS ASSEMBLY IS RATED AT 100 LBS  
PAYLOAD. (HEIGHT IS 2.20 IN.)

CUSTOMER REQUIREMENTS FOR CUSTOM OR MODIFIED  
INSTALLATION KITS MAY BE DESIGNED TO SATISFY ANY  
NEW EQUIPMENT REQUIREMENT UPON RECEIPT OF CUSTOMER  
SPECIFICATION AND/OR INTERFACE CONTROL DRAWINGS.

MOUNTING ANGLE ASSEMBLY  
PART NO. 150-146

PROPERTY OF A & J MANUFACTURING COMPANY  
THIS DOCUMENT SHALL NOT BE REPRODUCED, COPIED, DISCLOSED OR USED AS A BASIS FOR  
MANUFACTURING EQUIPMENT WITHOUT WRITTEN PERMISSION FROM A & J MANUFACTURING CO.

Last Edit: 4/21/2015 14:30

4

3

2

1

DWG No. 150-146DX  
SH 1  
REV