

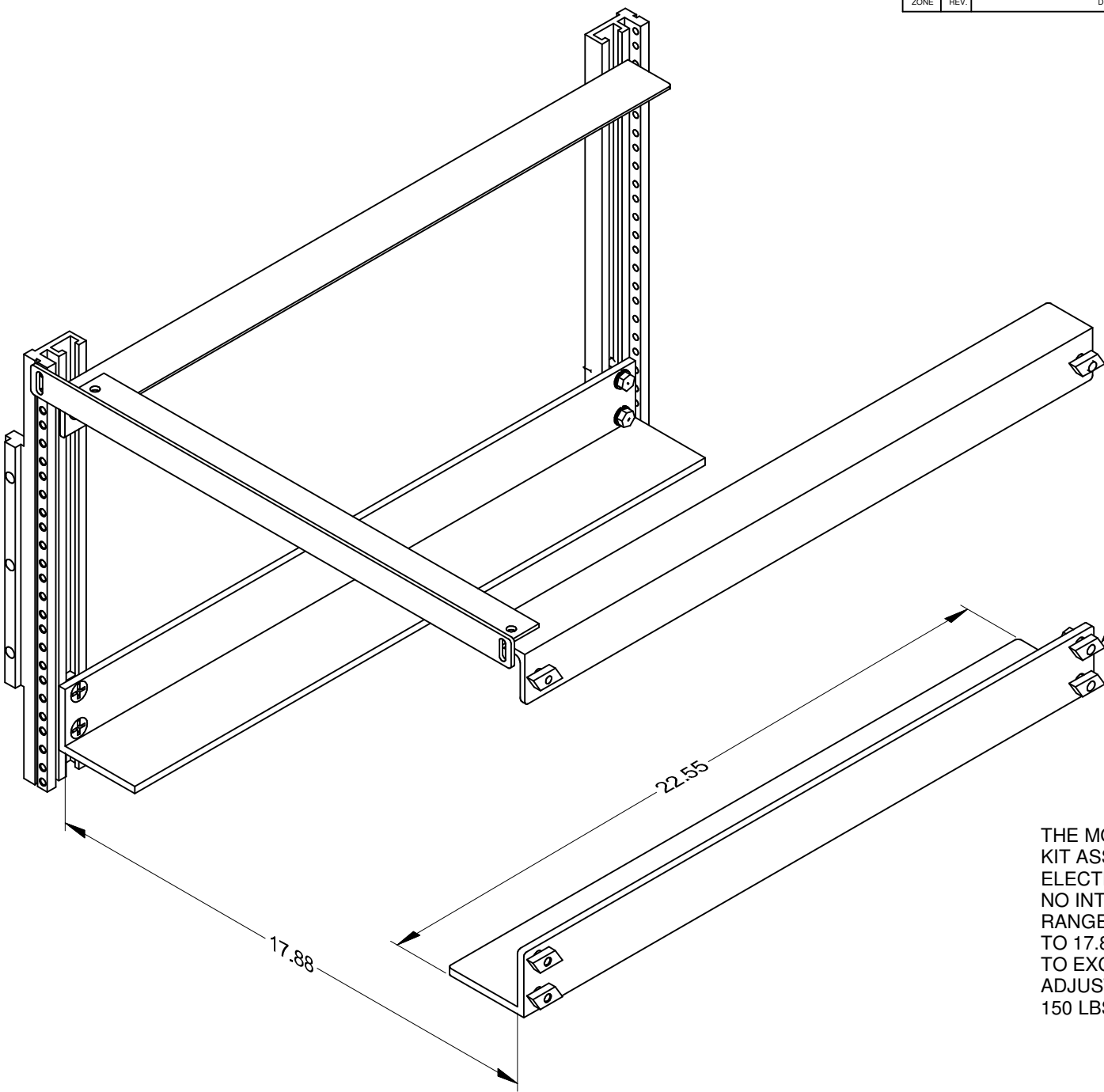
4

3

2

1

| REVISIONS |      |             |      |             |
|-----------|------|-------------|------|-------------|
| ZONE      | REV. | DESCRIPTION | DATE | APPROVED BY |
|           |      |             |      |             |



TEE NUTS FOR T-SLOT  
ADJUSTABILITY

THE MOUNTING ANGLES AT THE TOP OF THIS KIT ASSEMBLY ARE USED TO SECURE THE ELECTRONIC EQUIPMENT WHEN THERE IS NO INTEGRAL MOUNTING PROVISIONS. THE RANGE IN SIZE OF THE EQUIPMENT IS 16.50 TO 17.88 INCHES IN WIDTH. DEPTH NOT TO EXCEED 22 INCHES AND THE HEIGHT IS ADJUSTABLE. THE PAYLOAD NOT TO EXCEED 150 LBS.

**HOLD DOWN ASSEMBLY  
(WITH TRIMPLATE)  
PART NO. 150-003**

PROPERTY OF A & J MANUFACTURING COMPANY  
THIS DOCUMENT SHALL NOT BE REPRODUCED, COPIED, DISCLOSED OR USED AS A BASIS FOR  
MANUFACTURING EQUIPMENT WITHOUT WRITTEN PERMISSION FROM A & J MANUFACTURING CO.

Last Edit: 5/7/2015 9:45

4

3

2

1

DWG No. 150-003X

SH 1  
A REV

A