

4

3

2

1

REVISIONS				
ZONE	REV.	DESCRIPTION	DATE	APPROVED BY

D

D

C

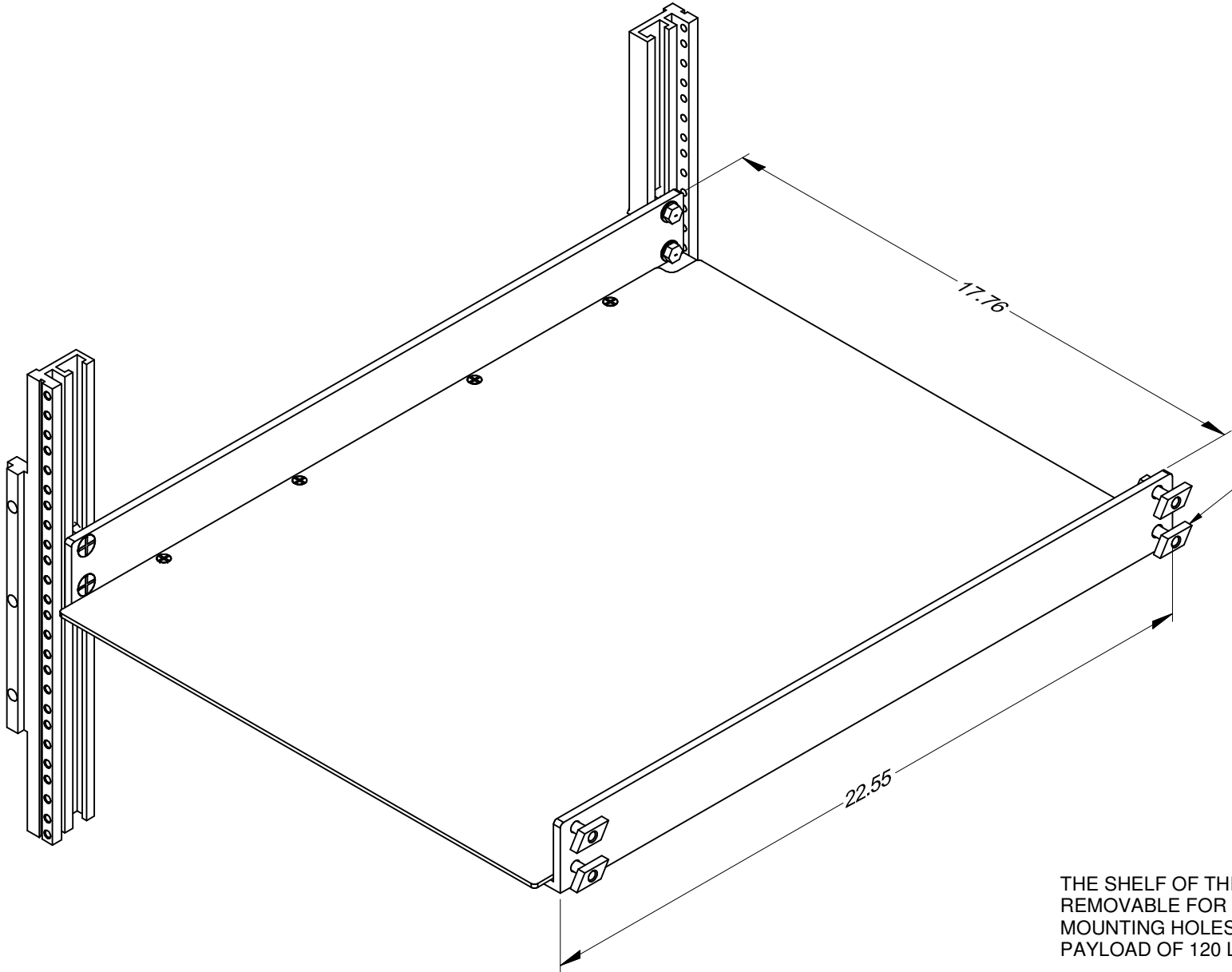
C

B

B

A

A



TEE NUTS FOR T-SLOT
ADJUSTABILITY

THE SHELF OF THIS KIT ASSEMBLY IS
REMOVABLE FOR THE ADDITION OF
MOUNTING HOLES, ETC. WITH A MAXIMUM
PAYLOAD OF 120 LBS. (HEIGHT IS 2.20 IN.)

CUSTOMER REQUIREMENTS FOR CUSTOM OR MODIFIED
INSTALLATION KITS MAY BE DESIGNED TO SATISFY ANY
NEW EQUIPMENT REQUIREMENT UPON RECEIPT OF CUSTOMER
SPECIFICATION AND/OR INTERFACE CONTROL DRAWINGS.

FIXED SHELF ASSEMBLY
PART NO. 150-005

PROPERTY OF A & J MANUFACTURING COMPANY
THIS DOCUMENT SHALL NOT BE REPRODUCED, COPIED, DISCLOSED OR USED AS A BASIS FOR
MANUFACTURING EQUIPMENT WITHOUT WRITTEN PERMISSION FROM A & J MANUFACTURING CO.

Last Edit: 5/4/2015 8:00

4

3

2

1

DWG No. 150-005X
 SH 1
 REV.