

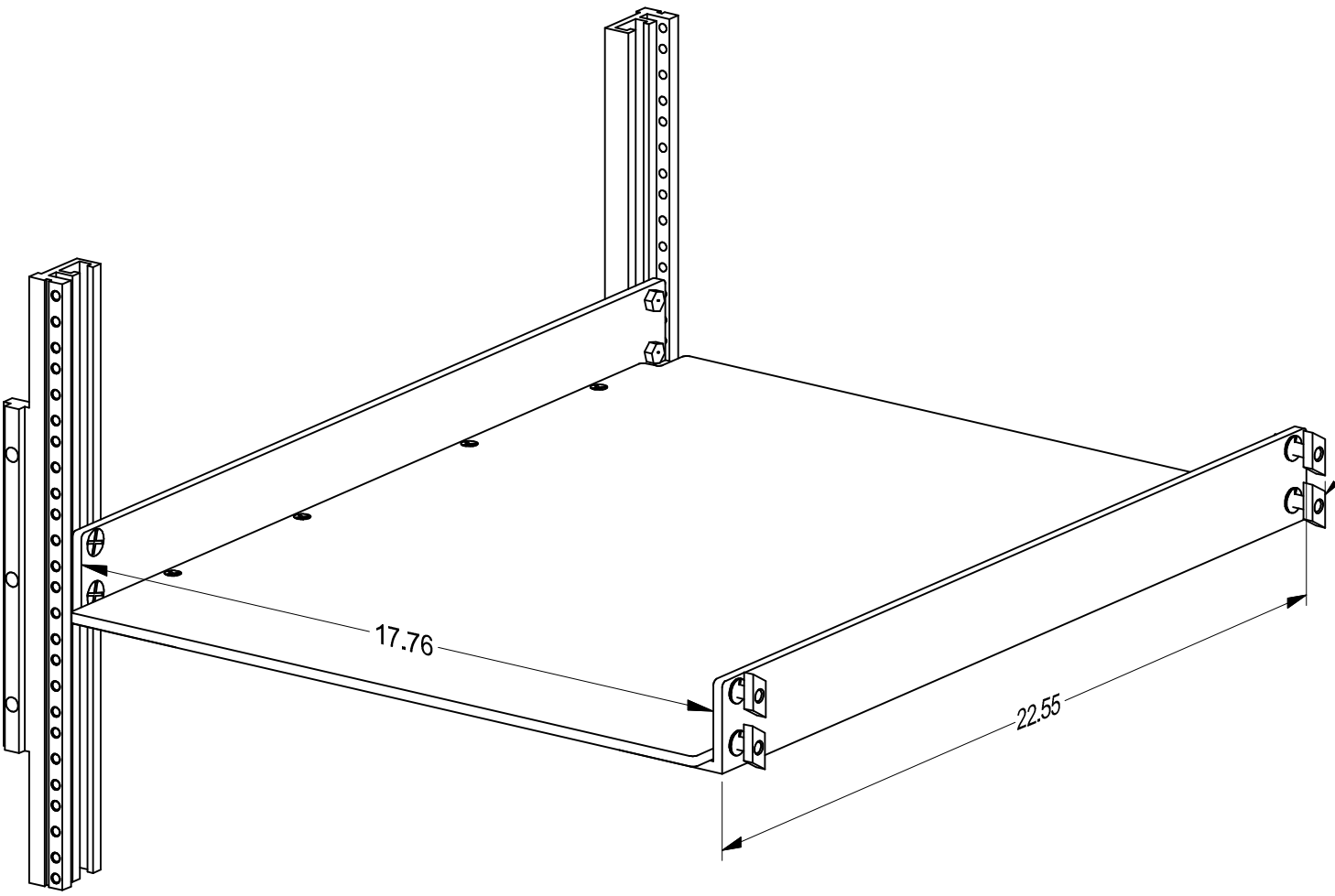
4

3

2

1

REVISIONS				
ZONE	REV.	DESCRIPTION	DATE	APPROVED BY



TEE NUTS FOR T-SLOT  
ADJUSTABILITY

CUSTOMER REQUIREMENTS FOR CUSTOM OR MODIFIED  
INSTALLATION KITS MAY BE DESIGNED TO SATISFY ANY  
NEW EQUIPMENT REQUIREMENT UPON RECEIPT OF CUSTOMER  
SPECIFICATION AND/OR INTERFACE CONTROL DRAWINGS.

THE SHELF OF THIS KIT ASSEMBLY  
IS REMOVABLE FOR THE ADDITION OF  
MOUNTING HOLES, ETC. WITH A MAXIMUM  
PAYLOAD OF 200 LBS. (HEIGHT IS 2.20 IN.)

**FIXED SHELF ASSEMBLY - HEAVY DUTY**  
**PART NO. 150-238**

PROPERTY OF A & J MANUFACTURING COMPANY  
THIS DOCUMENT SHALL NOT BE REPRODUCED, COPIED, DISCLOSED OR USED AS A BASIS FOR  
MANUFACTURING EQUIPMENT WITHOUT WRITTEN PERMISSION FROM A & J MANUFACTURING CO.

Last Edit: 5/6/2015 15:30

4

3

2

1

DWG No. 150-238X  
SH 1  
REV 1