

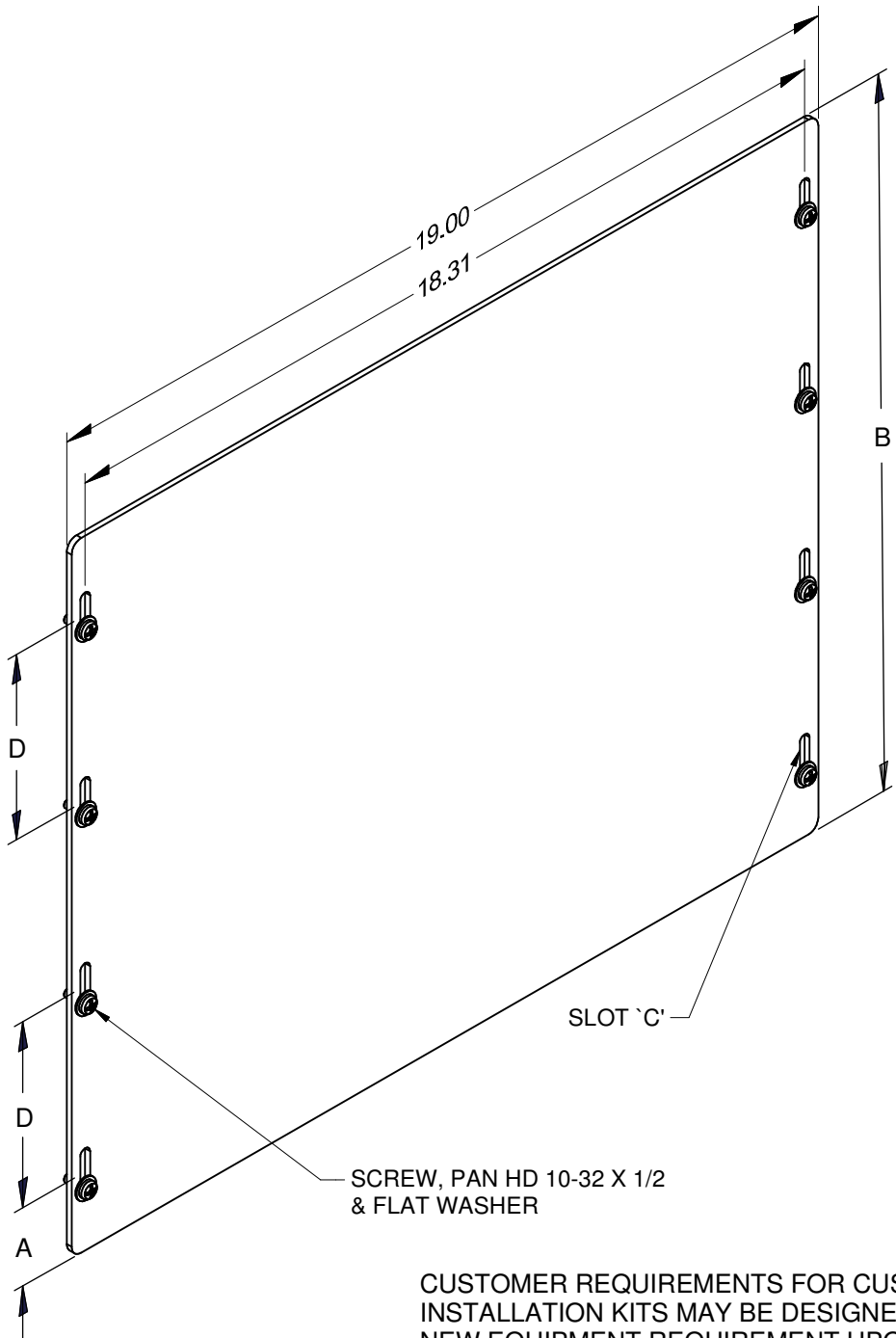
4

3

2

1

REVISIONS				
ZONE	REV.	DESCRIPTION	DATE	APPROVED BY



PART NO.	DIM. 'A'	DIM. 'B'	SLOT DIM. 'C'	DIM. 'D'
150-090-400	1.75	12.22	.25 X 1.00 L	2.90
150-090-401	1.75	12.25	.25 X 1.00 L	3.91
150-090-402	1.75	12.50	.25 X 1.00 L	3.00
150-090-403	1.75	12.88	.25 X 1.00 L	3.12
150-090-404	1.75	13.00	.25 X 1.00 L	3.16
150-090-405	1.75	13.14	.25 X 1.00 L	3.21

(VARIOUS SIZES AVAILABLE)

CUSTOMER REQUIREMENTS FOR CUSTOM OR MODIFIED
 INSTALLATION KITS MAY BE DESIGNED TO SATISFY ANY
 NEW EQUIPMENT REQUIREMENT UPON RECEIPT OF CUSTOMER
 SPECIFICATION AND/OR INTERFACE CONTROL DRAWINGS.

BLANK PANEL ASSEMBLY- 8 SLOTS
 PART NO. 150-090-4XX

PROPERTY OF A & J MANUFACTURING COMPANY
 THIS DOCUMENT SHALL NOT BE REPRODUCED, COPIED, DISCLOSED OR USED AS A BASIS FOR
 MANUFACTURING EQUIPMENT WITHOUT WRITTEN PERMISSION FROM A & J MANUFACTURING CO.

Last Edit: 4/27/2015 15:45

4

3

2

1

DWG No. 150-090-4XX

SH 1 REV