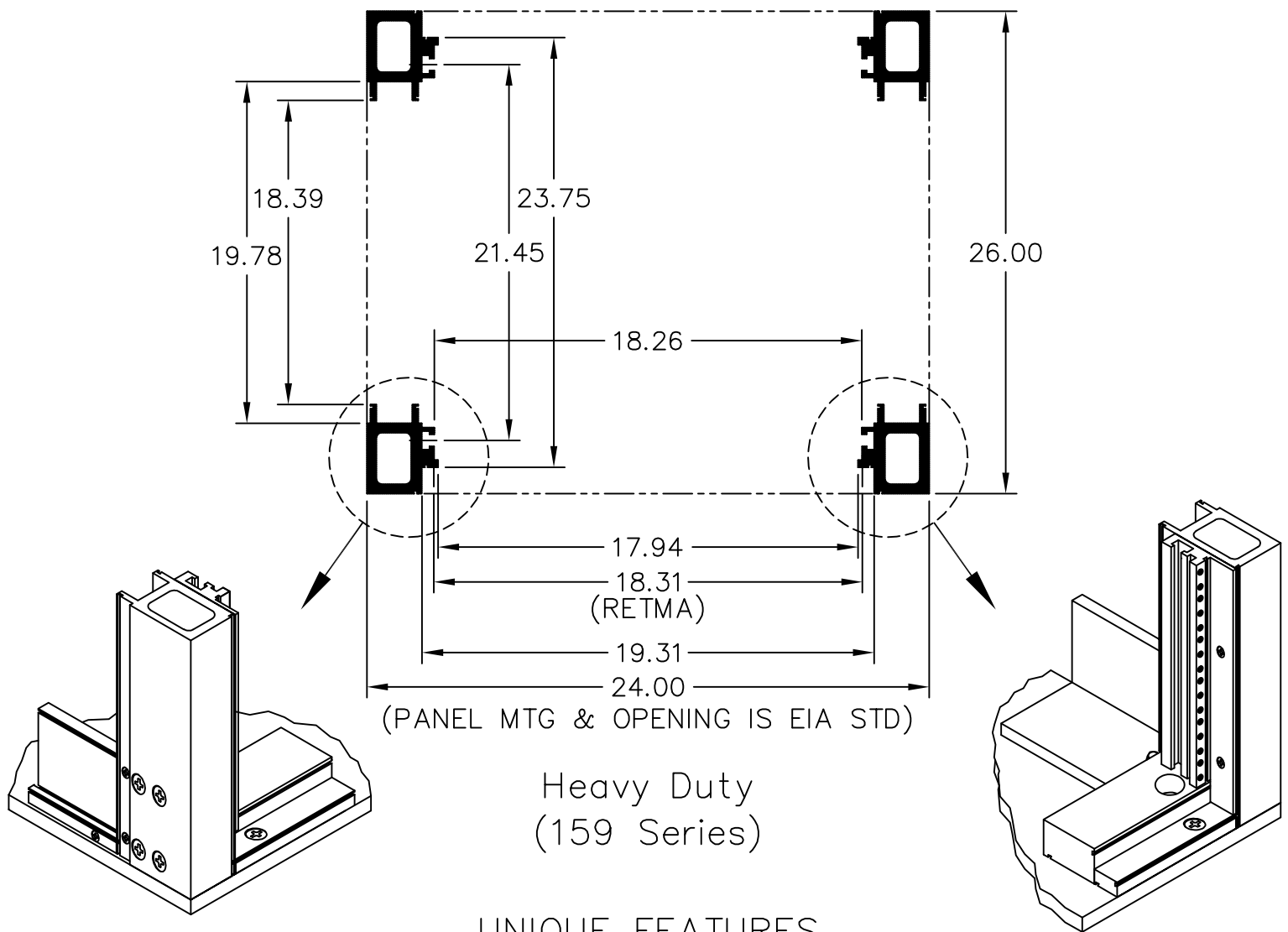


HEAVY DUTY RACKS AND ENCLOSURES by A & J MANUFACTURING COMPANY



UNIQUE FEATURES

- PAYLOAD CAPACITY
 - MIL-S-901 SHOCK/MIL-STD-167 VIBRATION QUALIFIED WITH 560 lbs.(50HZ) IN RACK CONFIGURATION, 900 lbs.(33Hz) IN ENCLOSURE CONFIGURATION
- FUNCTIONAL
 - MANUFACTURED FROM LIGHT WEIGHT, RUGGEDIZED ALUMINUM
 - TOTALLY MODULAR CONSTRUCTION
 - DIMENSIONAL FLEXIBILITY – CAN BE DESIGNED TO MEET ANY REQUIREMENTS
 - FULL EMI/RFI SHIELDING CAPABILITY
 - EASY DISASSEMBLY WHEN REQUIRED FOR PASSAGE THROUGH DOORWAYS, HATCHES AND AROUND TIGHT CORNERS
 - PROVIDES STRUCTURAL INTEGRITY OF 1:1 AT ALL JOINTS
 - FULL COMPLEMENT OF EQUIPMENT MOUNTING KITS