

4

3

2

1

D

D

C

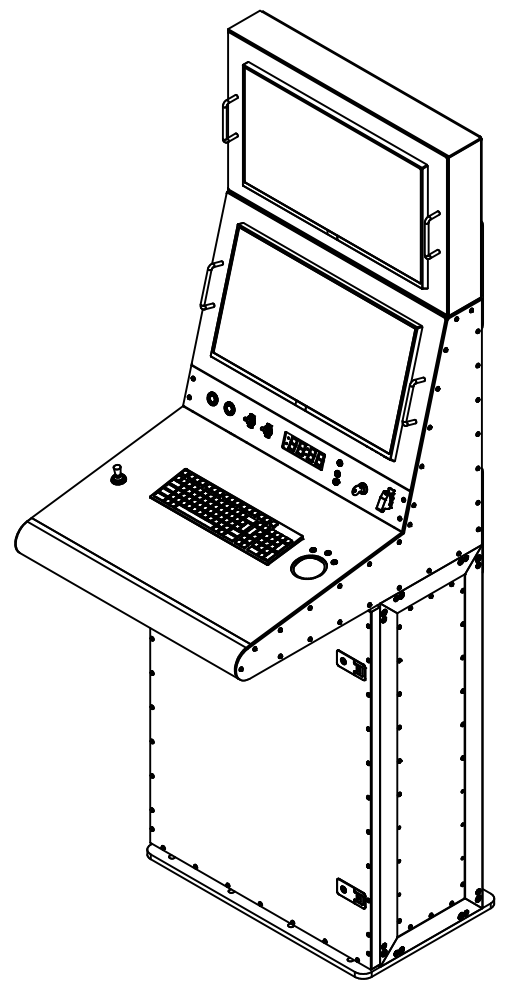
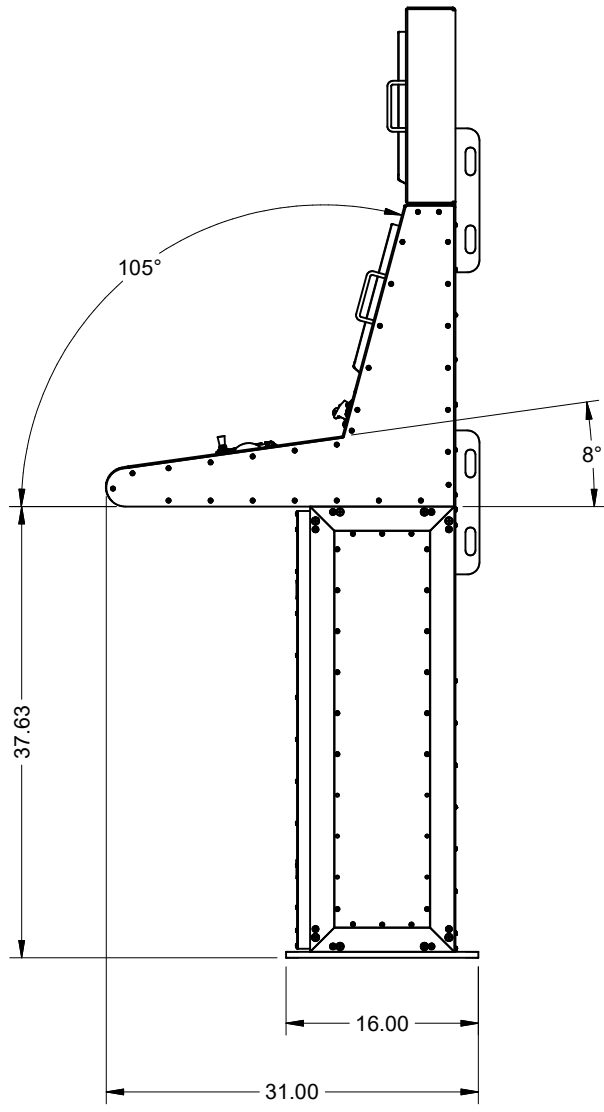
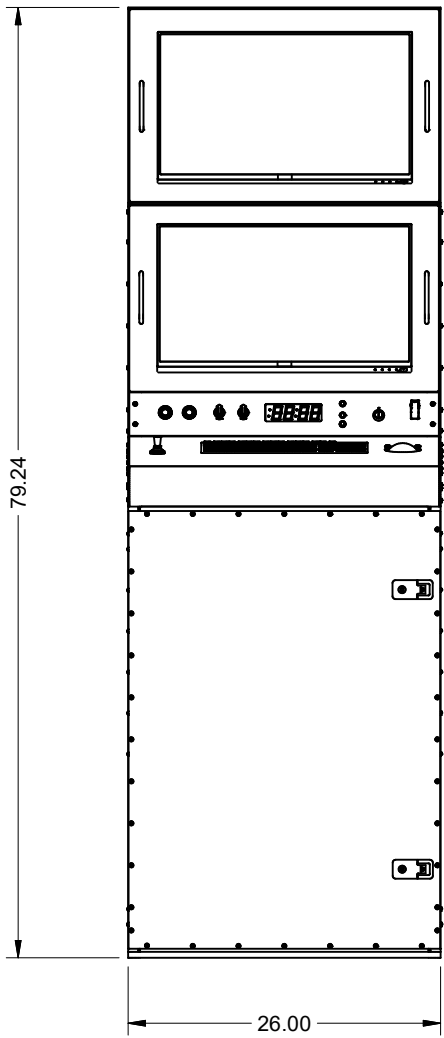
C

B

B

A

A



STAND-UP
DUAL MONITOR

24" WORKSTATION CONSOLES

PROPERTY OF A & J MANUFACTURING COMPANY
THIS DOCUMENT CONTAINS CONFIDENTIAL TRADE SECRETS WHICH ARE PROPRIETARY TO A & J MANUFACTURING CO. AND SHALL NOT BE REPRODUCED, COPIED, DISCLOSED OR USED AS A BASIS FOR MANUFACTURING EQUIPMENT WITHOUT WRITTEN PERMISSION.

Last Edit: 11/14/2023 10:11

SIZE	CAGE CODE	DWG No.	REV.
C	08060		

4

3

2

1

DWG No. Main Assy Stand Up Dual Monitor
 5
 REV.