

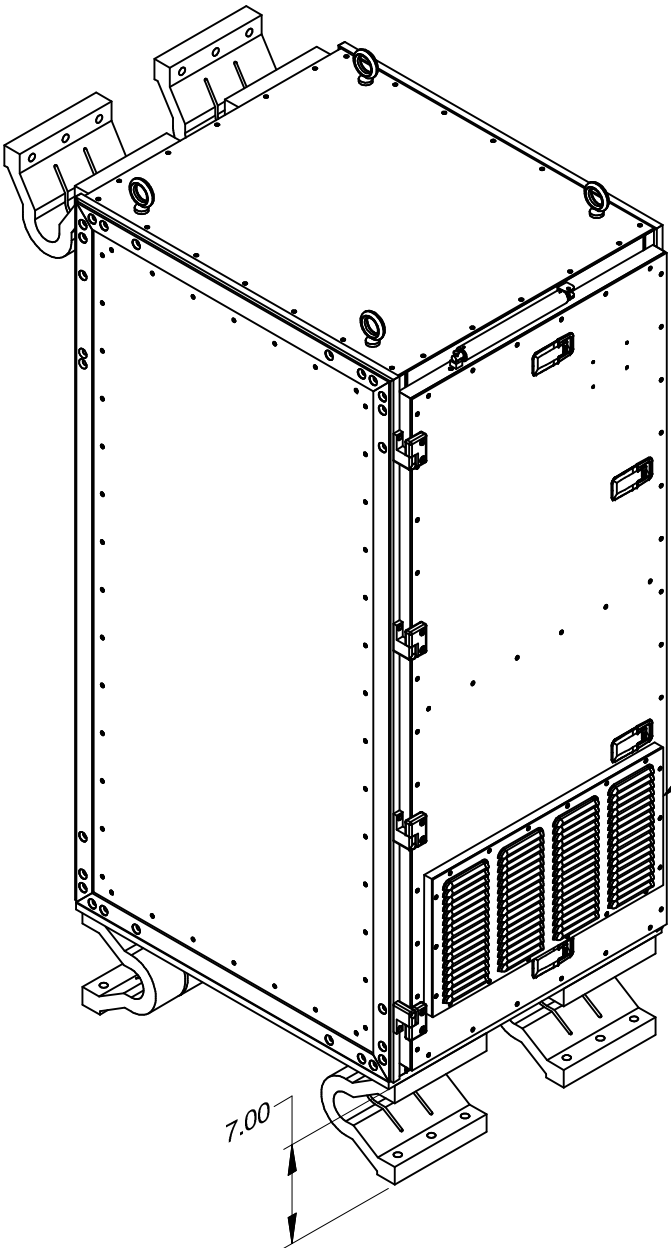
4

3

2

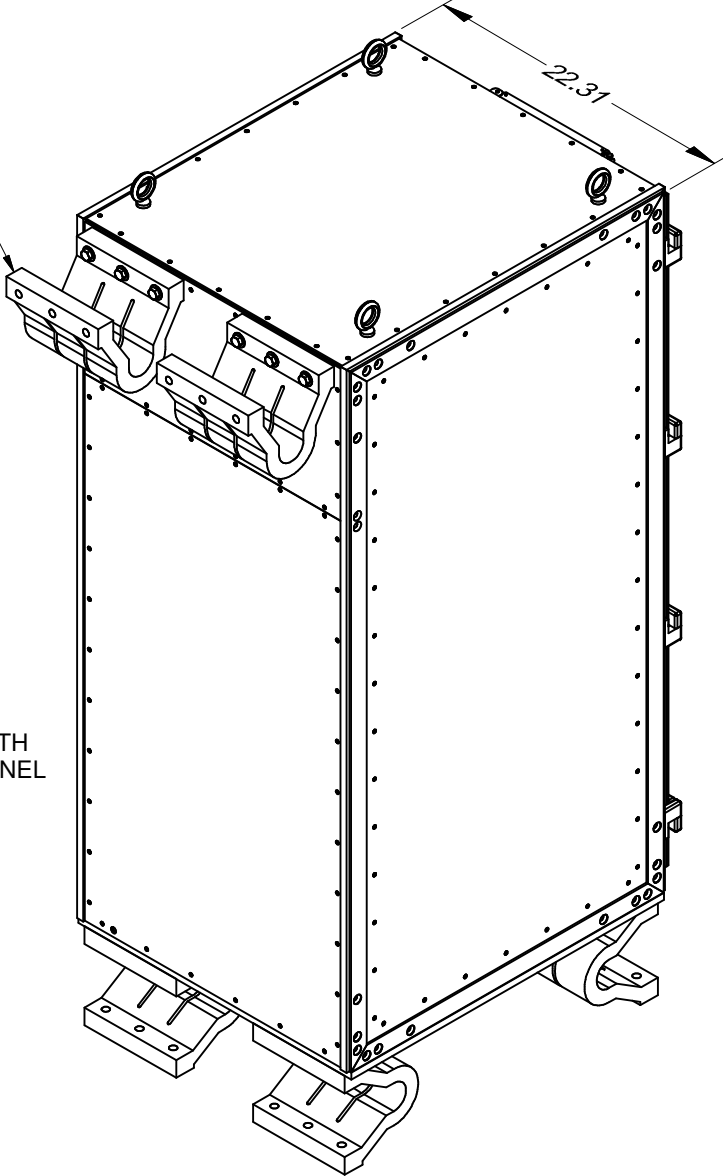
1

REVISIONS				
ZONE	REV.	DESCRIPTION	DATE	APPROVED BY



ELASTOMER ISOLATORS

EMI FILTER WITH LOUVERED PANEL



CUSTOMER REQUIREMENTS FOR CUSTOM OR MODIFIED RACKS/CABINETS MAY BE DESIGNED TO SATISFY ANY NEW EQUIPMENT REQUIREMENT UPON RECEIPT OF CUSTOMER SPECIFICATION AND/OR INTERFACE CONTROL DRAWINGS.

CABINET ASSEMBLY-MEDIUM DUTY (EMI 50.25" H X 26" D WITH ELASTOMER ISOLATORS)

PROPERTY OF A & J MANUFACTURING COMPANY  
THIS DOCUMENT SHALL NOT BE REPRODUCED, COPIED, DISCLOSED OR USED AS A BASIS FOR MANUFACTURING EQUIPMENT WITHOUT WRITTEN PERMISSION FROM A & J MANUFACTURING CO.

Last Edit: 7/6/2015 8:15

4

3

2

1

DWG No. SH 1 REV.