

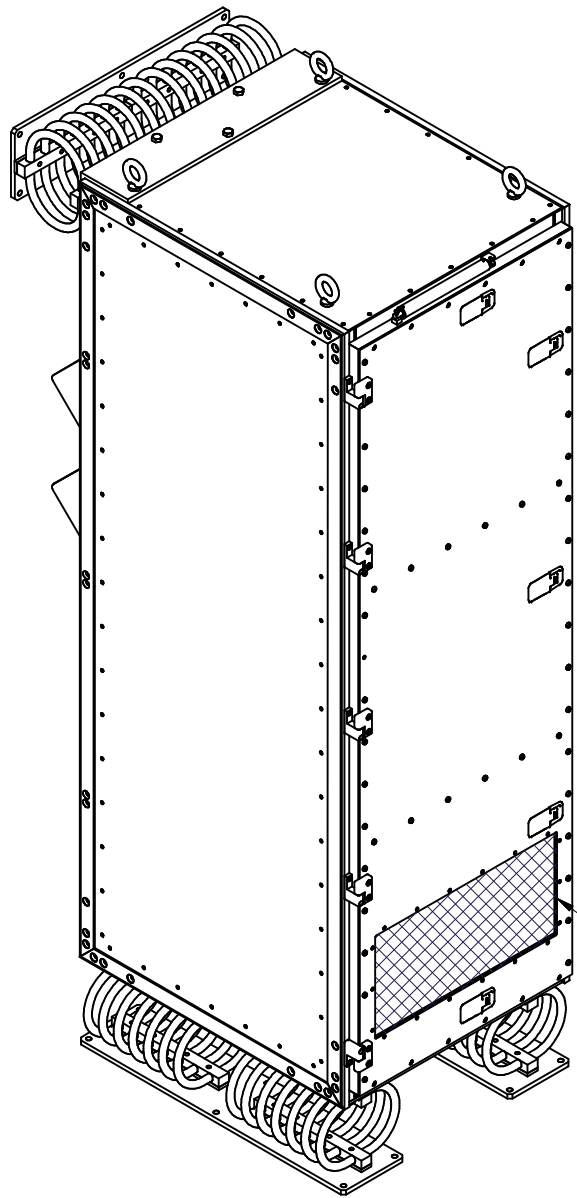
4

3

2

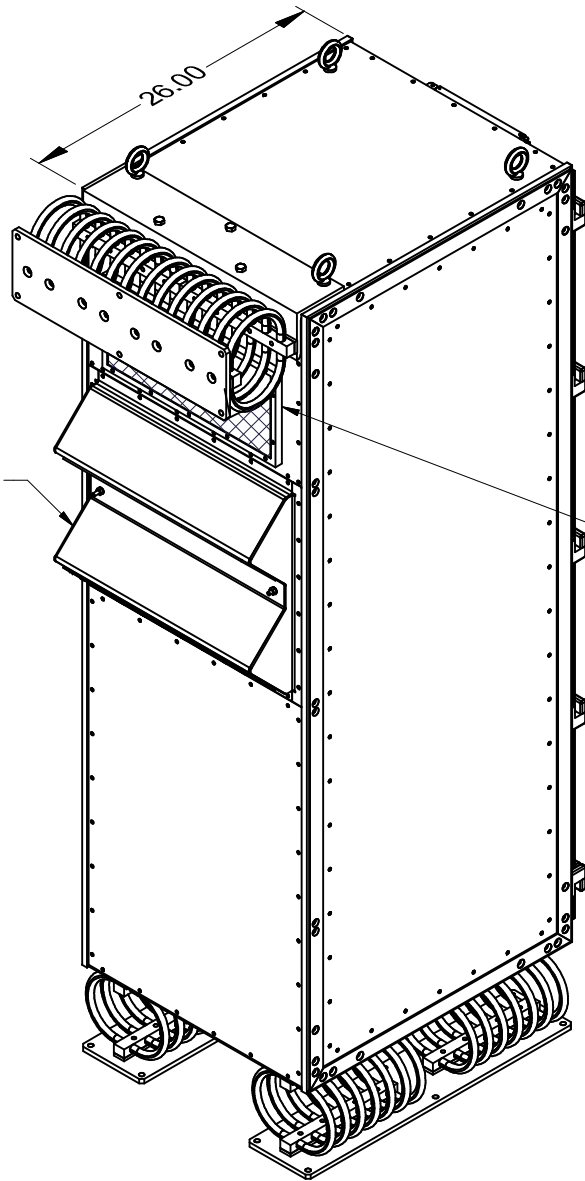
1

REVISIONS				
ZONE	REV.	DESCRIPTION	DATE	APPROVED BY



RAZORBACK ASSEMBLY WITH I/O PANELS

EMI FILTER PANEL



EMI AIR VENT PANEL

CUSTOMER REQUIREMENTS FOR CUSTOM OR MODIFIED RACKS/CABINETS MAY BE DESIGNED TO SATISFY ANY NEW EQUIPMENT REQUIREMENT UPON RECEIPT OF CUSTOMER SPECIFICATION AND/OR INTERFACE CONTROL DRAWINGS.

CABINET ASSEMBLY- MEDIUM DUTY (EMI 66" H X 26" D WITH ISOLATION)

4

3

2

1

DIRECTION

SH 1 REV