

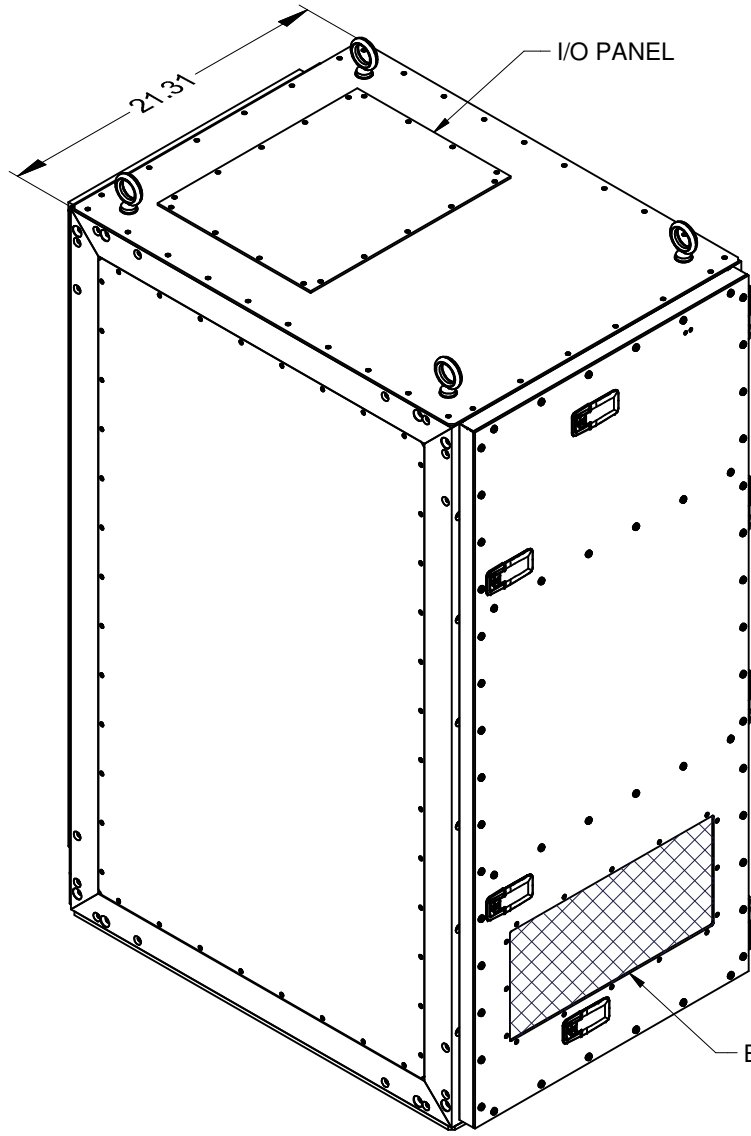
4

3

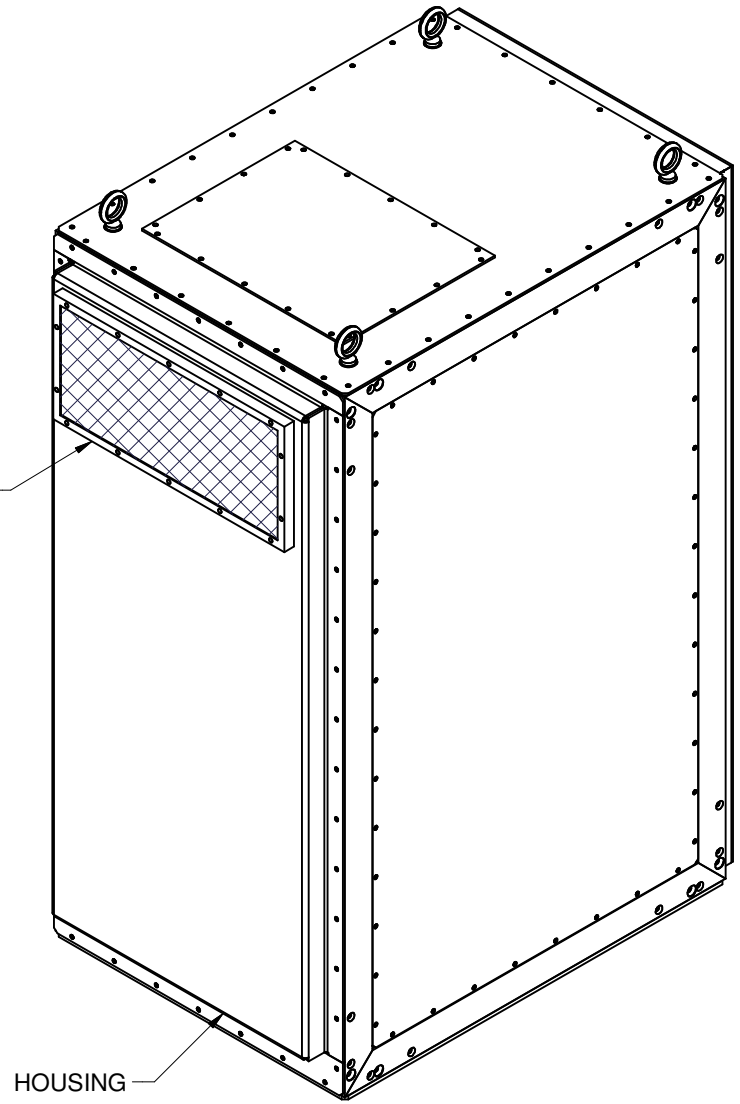
2

1

REVISIONS				
ZONE	REV.	DESCRIPTION	DATE	APPROVED BY



EMI AIR VENT PANEL



CUSTOMER REQUIREMENTS FOR CUSTOM OR MODIFIED RACKS/CABINETS MAY BE DESIGNED TO SATISFY ANY NEW EQUIPMENT REQUIREMENT UPON RECEIPT OF CUSTOMER SPECIFICATION AND/OR INTERFACE CONTROL DRAWINGS.

CABINET ASSEMBLY - LIGHT DUTY (EMI 45" H X 28" D WITH I/O PANEL & HOUSING)

PROPERTY OF A & J MANUFACTURING COMPANY
THIS DOCUMENT SHALL NOT BE REPRODUCED, COPIED, DISCLOSED OR USED AS A BASIS FOR MANUFACTURING EQUIPMENT WITHOUT WRITTEN PERMISSION FROM A & J MANUFACTURING CO.

Last Edit: 7/6/2015 8:00

4

3

2

1

D

C

B

A

D

C

DIRECTION

SH 1

REV.

A