

4

3

2

1

REVISIONS				
ZONE	REV.	DESCRIPTION	DATE	APPROVED BY

D

D

C

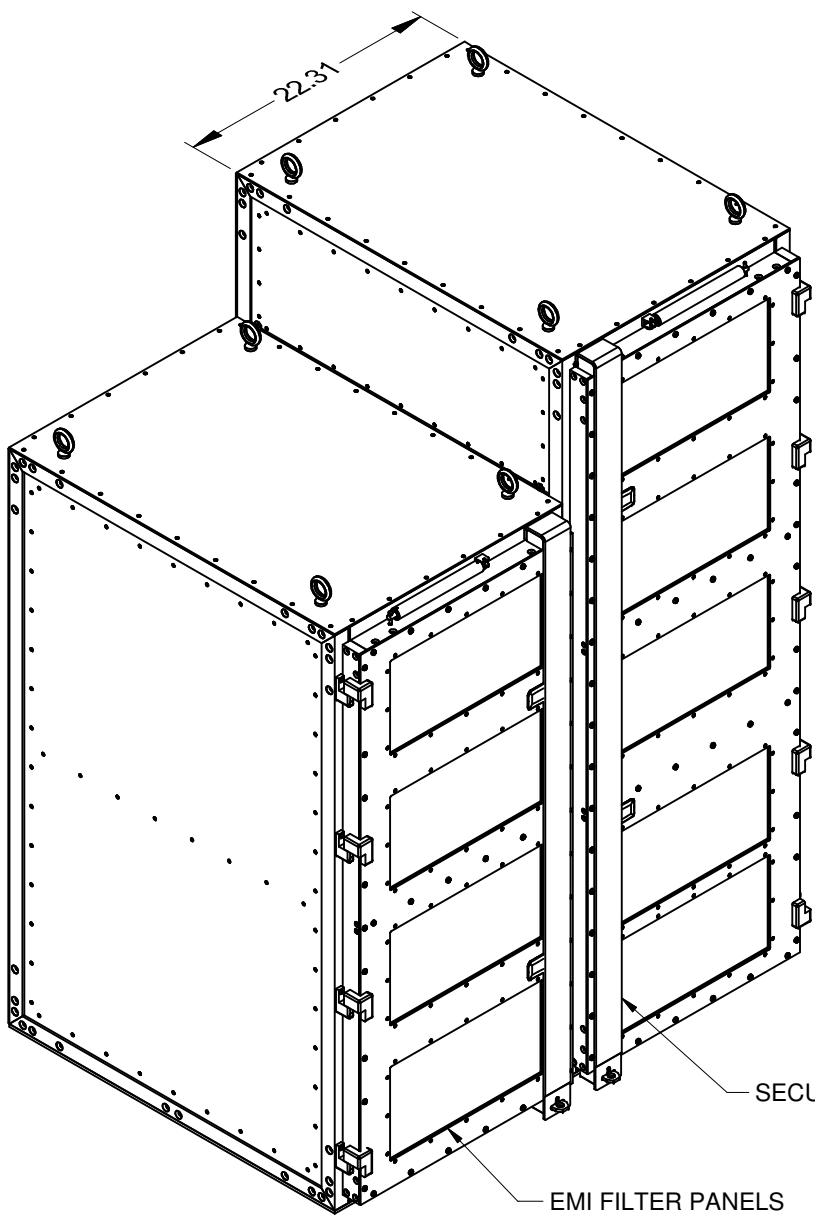
C

B

B

A

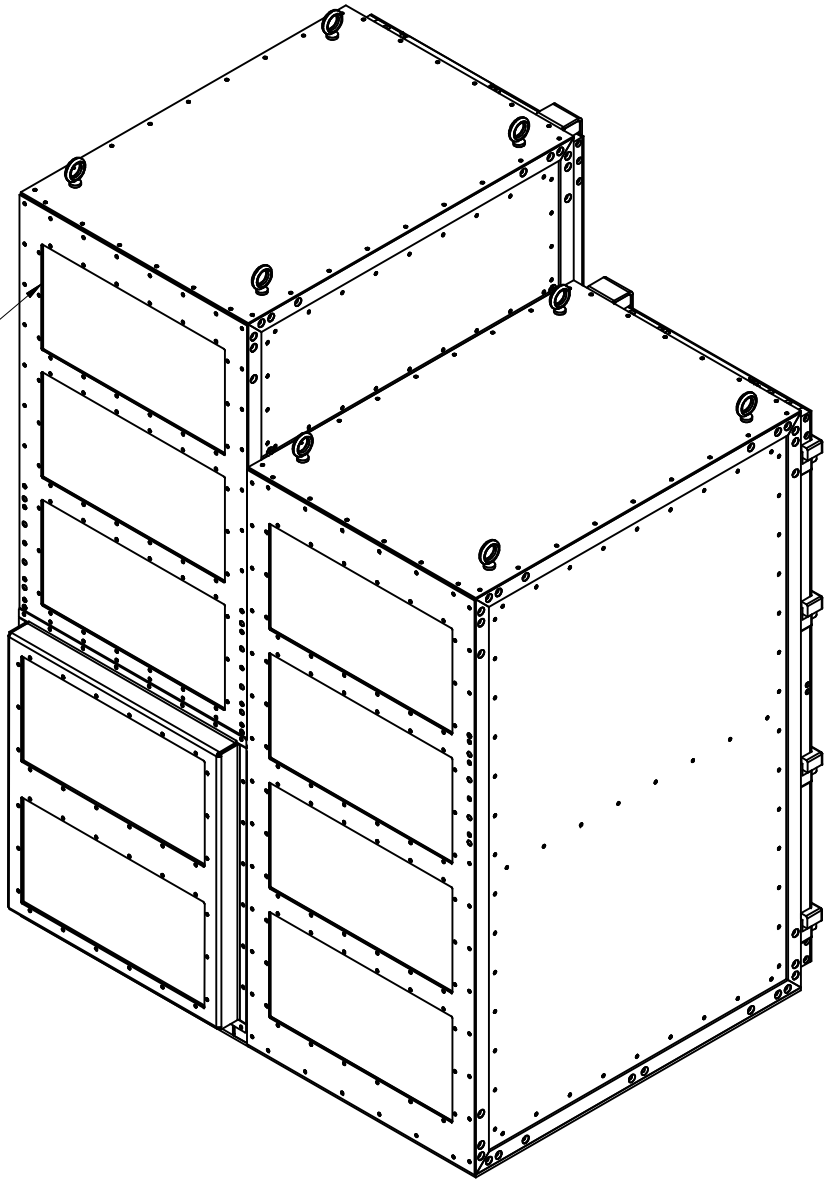
A



EMI AIR VENT
PANELS

SECURITY BARS

EMI FILTER PANELS



CUSTOMER REQUIREMENTS FOR CUSTOM OR MODIFIED RACKS/CABINETS MAY BE DESIGNED TO SATISFY ANY NEW EQUIPMENT REQUIREMENT UPON RECEIPT OF CUSTOMER SPECIFICATION AND/OR INTERFACE CONTROL DRAWINGS.

CABINET ASSEMBLY - 2 BAY
(MEDIUM DUTY-EMI 49.25" & 61.5" H X 32" D WITH SECURITY BARS)

PROPERTY OF A & J MANUFACTURING COMPANY
THIS DOCUMENT SHALL NOT BE REPRODUCED, COPIED, DISCLOSED OR USED AS A BASIS FOR
MANUFACTURING EQUIPMENT WITHOUT WRITTEN PERMISSION FROM A & J MANUFACTURING CO.

Last Edit: 7/6/2015 8:00

4

3

2

1

DIRECTION
SH
REV