

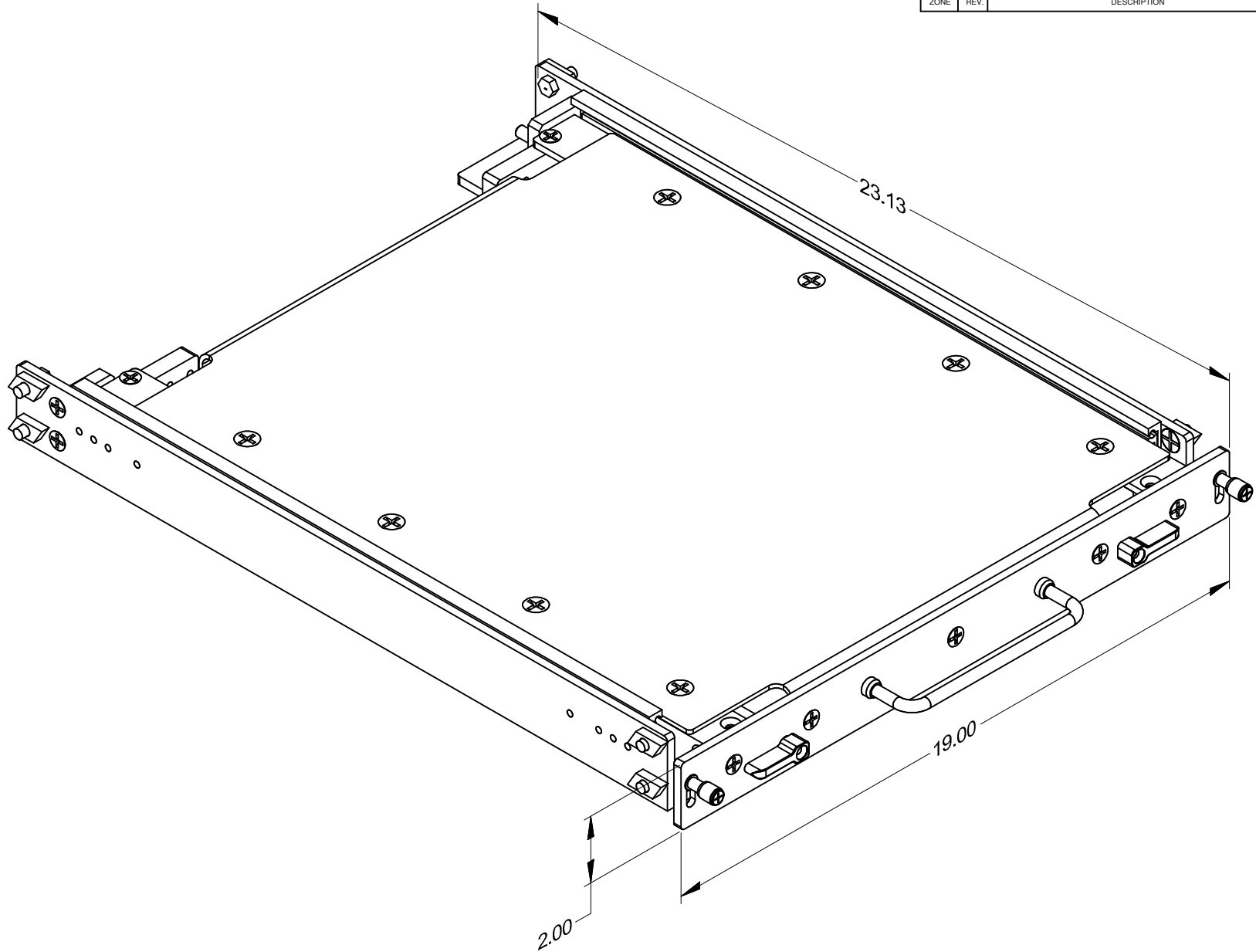
4

3

2

1

REVISIONS				
ZONE	REV.	DESCRIPTION	DATE	APPROVED BY



THIS ASSEMBLY IS RATED AT 100 LBS PAYLOAD (HEIGHT IS 2.25 IN.)

CUSTOMER REQUIREMENTS FOR CUSTOM OR MODIFIED INSTALLATION KITS MAY BE DESIGNED TO SATISFY ANY NEW EQUIPMENT REQUIREMENT UPON RECEIPT OF CUSTOMER SPECIFICATION AND/OR INTERFACE CONTROL DRAWINGS.

SLIDING SHELF ASSEMBLY (STANDARD)
PART NO. 160-605

PROPERTY OF A & J MANUFACTURING COMPANY
THIS DOCUMENT SHALL NOT BE REPRODUCED, COPIED, DISCLOSED OR USED AS A BASIS FOR MANUFACTURING EQUIPMENT WITHOUT WRITTEN PERMISSION FROM A & J MANUFACTURING CO.

Last Edit: 4/14/2015 9:00

4

3

2

1

DWG No. 160-605X

SH 1
REV 1