

4

3

2

1

REVISIONS					
ZONE	REV.	DESCRIPTION	DATE	REVISED BY	APPROVED BY

D

D

C

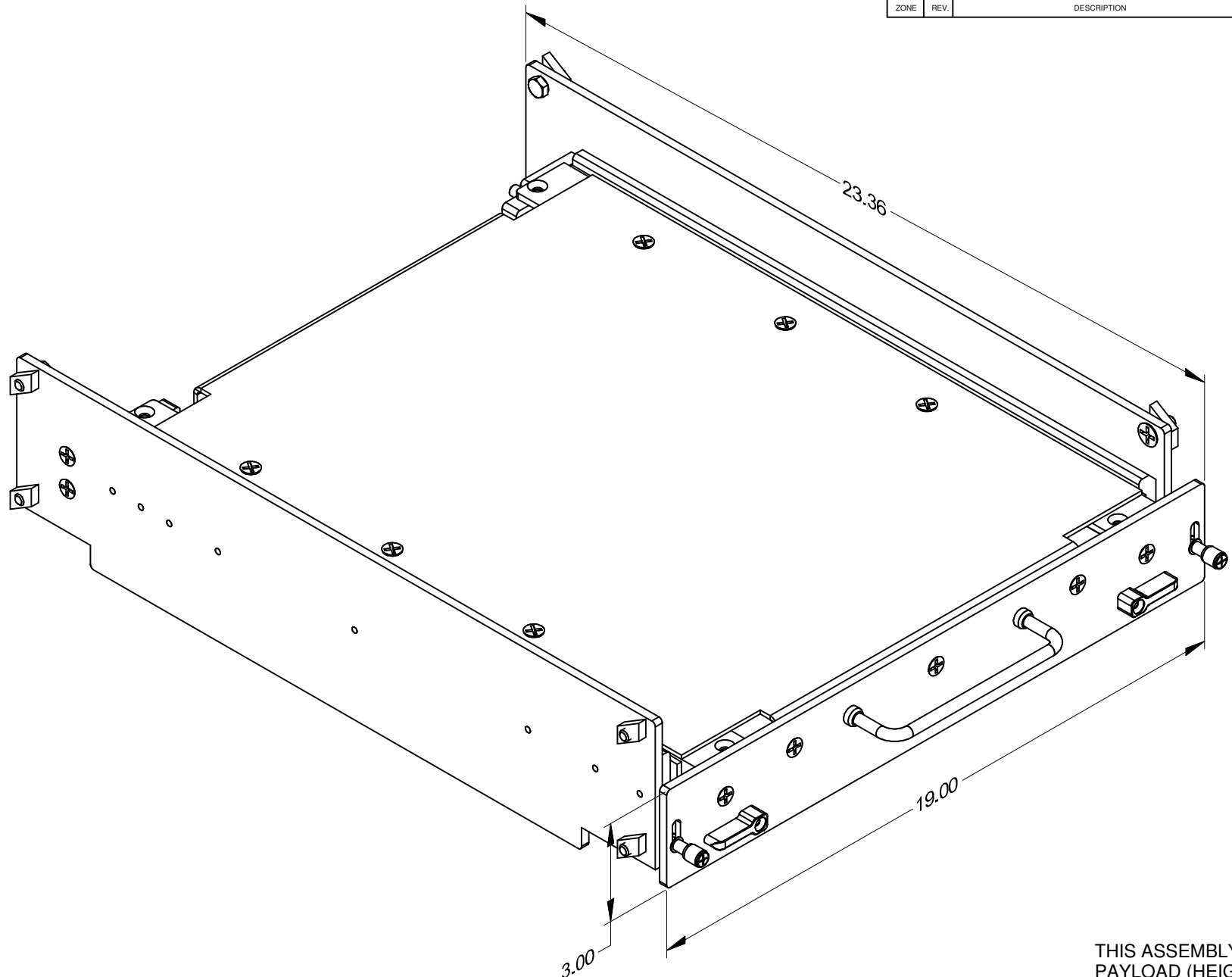
C

B

B

A

A



DWG No. 160-650-1X
 SH 1
 REV 1

THIS ASSEMBLY IS RATED AT 250 LBS
 PAYLOAD (HEIGHT IS 5.20 IN.)

CUSTOMER REQUIREMENTS FOR CUSTOM OR MODIFIED
 INSTALLATION KITS MAY BE DESIGNED TO SATISFY ANY
 NEW EQUIPMENT REQUIREMENT UPON RECEIPT OF CUSTOMER
 SPECIFICATION AND/OR INTERFACE CONTROL DRAWINGS.

SLIDING SHELF ASSEMBLY
 (HEAVY DUTY)
 PART NO. 160-650-1

PROPERTY OF A & J MANUFACTURING COMPANY
 THIS DOCUMENT SHALL NOT BE REPRODUCED, COPIED, DISCLOSED OR USED AS A BASIS FOR
 MANUFACTURING EQUIPMENT WITHOUT WRITTEN PERMISSION FROM A & J MANUFACTURING CO.

Last Edit: 4/15/2015 7:45

4

3

2

1