

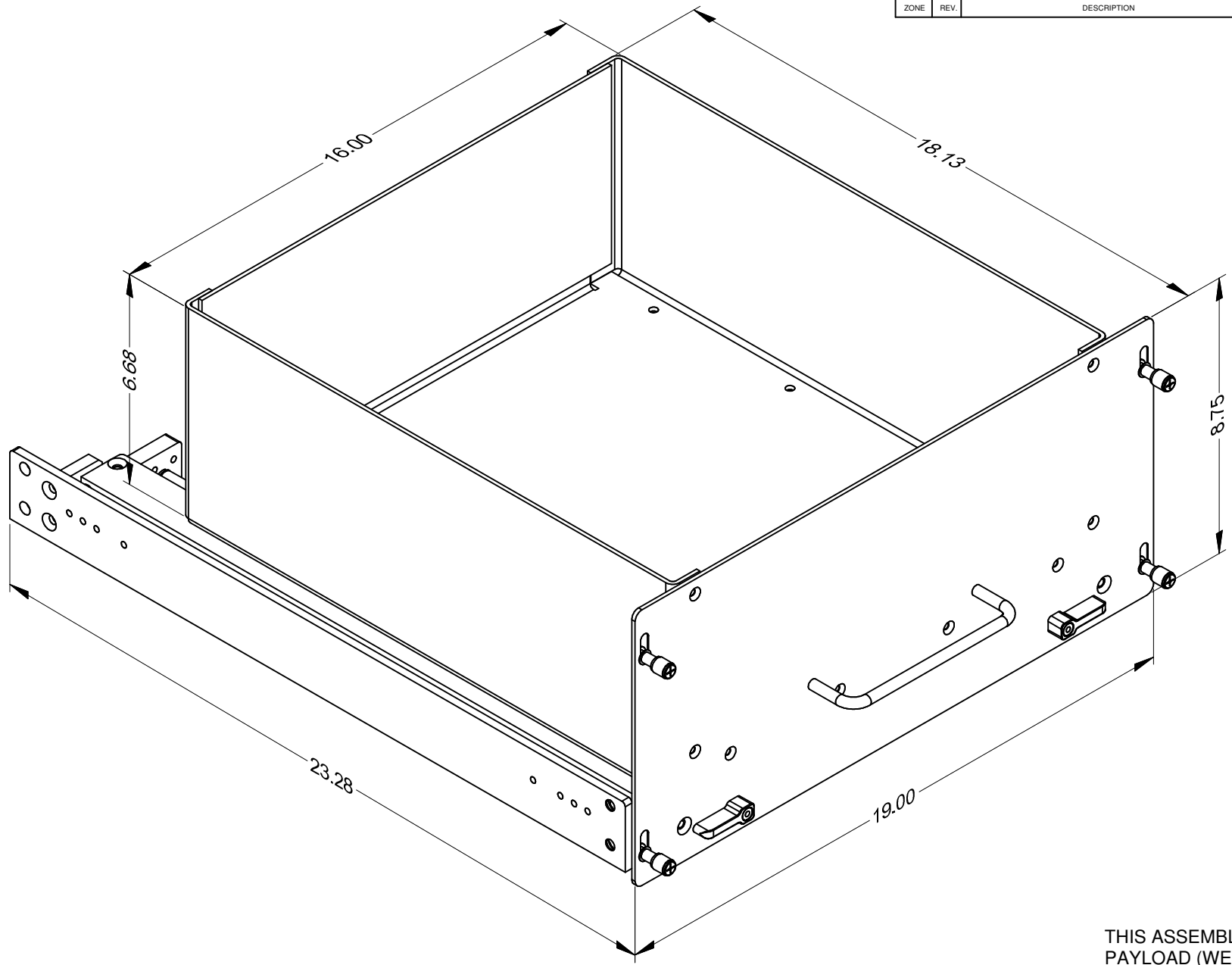
4

3

2

1

REVISIONS				
ZONE	REV.	DESCRIPTION	DATE	APPROVED BY



THIS ASSEMBLY IS RATED AT 100 LBS  
PAYLOAD (WEIGHT IS 20 LBS AND  
HEIGHT IS 8.75)

CUSTOMER REQUIREMENTS FOR CUSTOM OR MODIFIED  
INSTALLATION KITS MAY BE DESIGNED TO SATISFY ANY  
NEW EQUIPMENT REQUIREMENT UPON RECEIPT OF CUSTOMER  
SPECIFICATION AND/OR INTERFACE CONTROL DRAWINGS.

SLIDING DRAWER ASSEMBLY  
(STANDARD)  
PART NO. 160-640

PROPERTY OF A & J MANUFACTURING COMPANY  
THIS DOCUMENT SHALL NOT BE REPRODUCED, COPIED, DISCLOSED OR USED AS A BASIS FOR  
MANUFACTURING EQUIPMENT WITHOUT WRITTEN PERMISSION FROM A & J MANUFACTURING CO.

Last Edit: 5/14/2010 10:14

4

3

2

1

DWG No. 160-640EX  
 SH 1  
 REV