

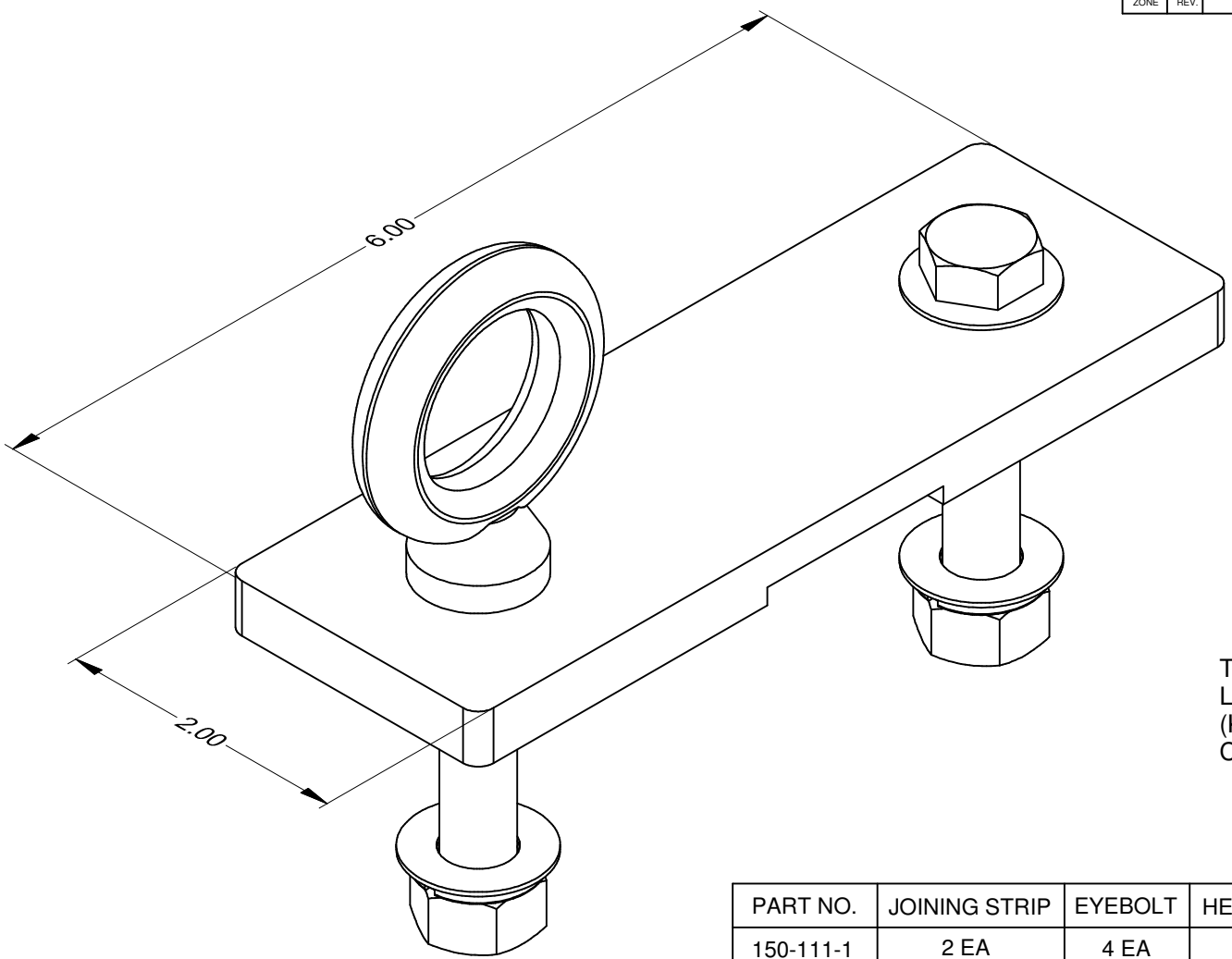
4

3

2

1

REVISIONS					
ZONE	REV.	DESCRIPTION	DATE	REVISED BY	APPROVED BY



THIS KIT ASSEMBLY CAN BE USED TO JOIN LIGHT AND MEDIUM CABINETS TOGETHER (KIT ALSO AVAILABLE FOR HEAVY DUTY CABINETS)

PART NO.	JOINING STRIP	EYEBOLT	HEX NUT	HEX SCREW	FLAT WASHER	LOCK WASHER
150-111-1	2 EA	4 EA				
150-111-2	2 EA			4 EA	4 EA	
150-111-3	2 EA		4 EA	4 EA	8 EA	4 EA
150-111-4	2 EA	4 EA	4 EA		4 EA	4 EA

CUSTOMER REQUIREMENTS FOR CUSTOM OR MODIFIED INSTALLATION KITS MAY BE DESIGNED TO SATISFY ANY NEW EQUIPMENT REQUIREMENT UPON RECEIPT OF CUSTOMER SPECIFICATION AND/OR INTERFACE CONTROL DRAWINGS.

(2 EA PER KIT ASSY)
JOINING STRIP ASSEMBLY
PART NO. 150-111-X

PROPERTY OF A & J MANUFACTURING COMPANY
 THIS DOCUMENT SHALL NOT BE REPRODUCED, COPIED, DISCLOSED OR USED AS A BASIS FOR MANUFACTURING EQUIPMENT WITHOUT WRITTEN PERMISSION FROM A & J MANUFACTURING CO.

Last Edit: 4/21/2015 10:30

4

3

2

1

DWG No. 150-111-X
 SH 1
 REV.