

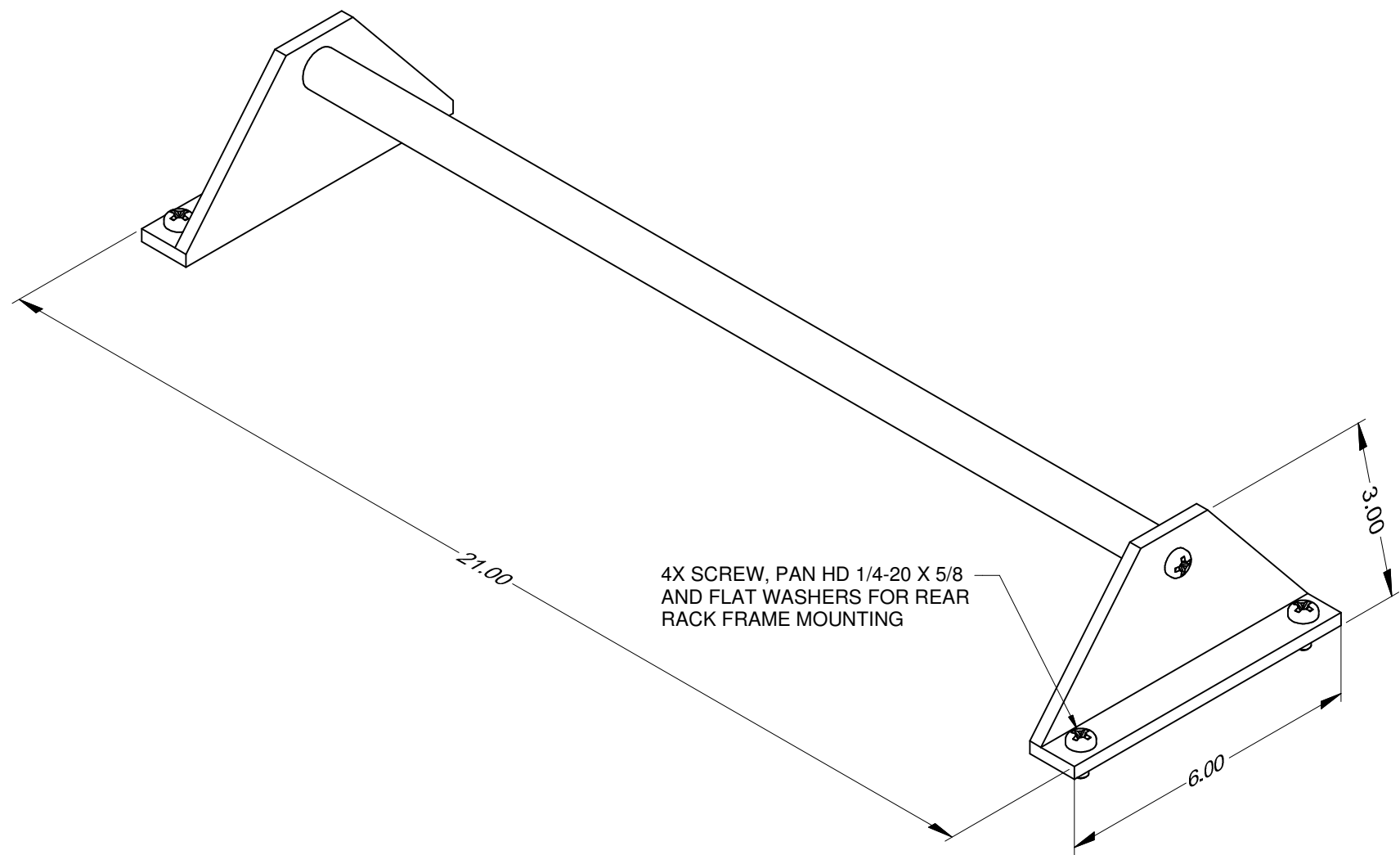
4

3

2

1

REVISIONS				
ZONE	REV.	DESCRIPTION	DATE	APPROVED BY



4X SCREW, PAN HD 1/4-20 X 5/8
AND FLAT WASHERS FOR REAR
RACK FRAME MOUNTING

21.00

3.00

6.00

CUSTOMER REQUIREMENTS FOR CUSTOM OR MODIFIED
INSTALLATION KITS MAY BE DESIGNED TO SATISFY ANY
NEW EQUIPMENT REQUIREMENT UPON RECEIPT OF CUSTOMER
SPECIFICATION AND/OR INTERFACE CONTROL DRAWINGS.

CABLE SUPPORT ASSEMBLY

PART NO. 150-255

PROPERTY OF A & J MANUFACTURING COMPANY
THIS DOCUMENT SHALL NOT BE REPRODUCED, COPIED, DISCLOSED OR USED AS A BASIS FOR
MANUFACTURING EQUIPMENT WITHOUT WRITTEN PERMISSION FROM A & J MANUFACTURING CO.

Last Edit: 4/22/2015 7:30

4

3

2

1

DWG No. 150-255CX

SH 1

REV 0