

4

3

2

1

REVISIONS				
ZONE	REV.	DESCRIPTION	DATE	APPROVED BY

D

D

C

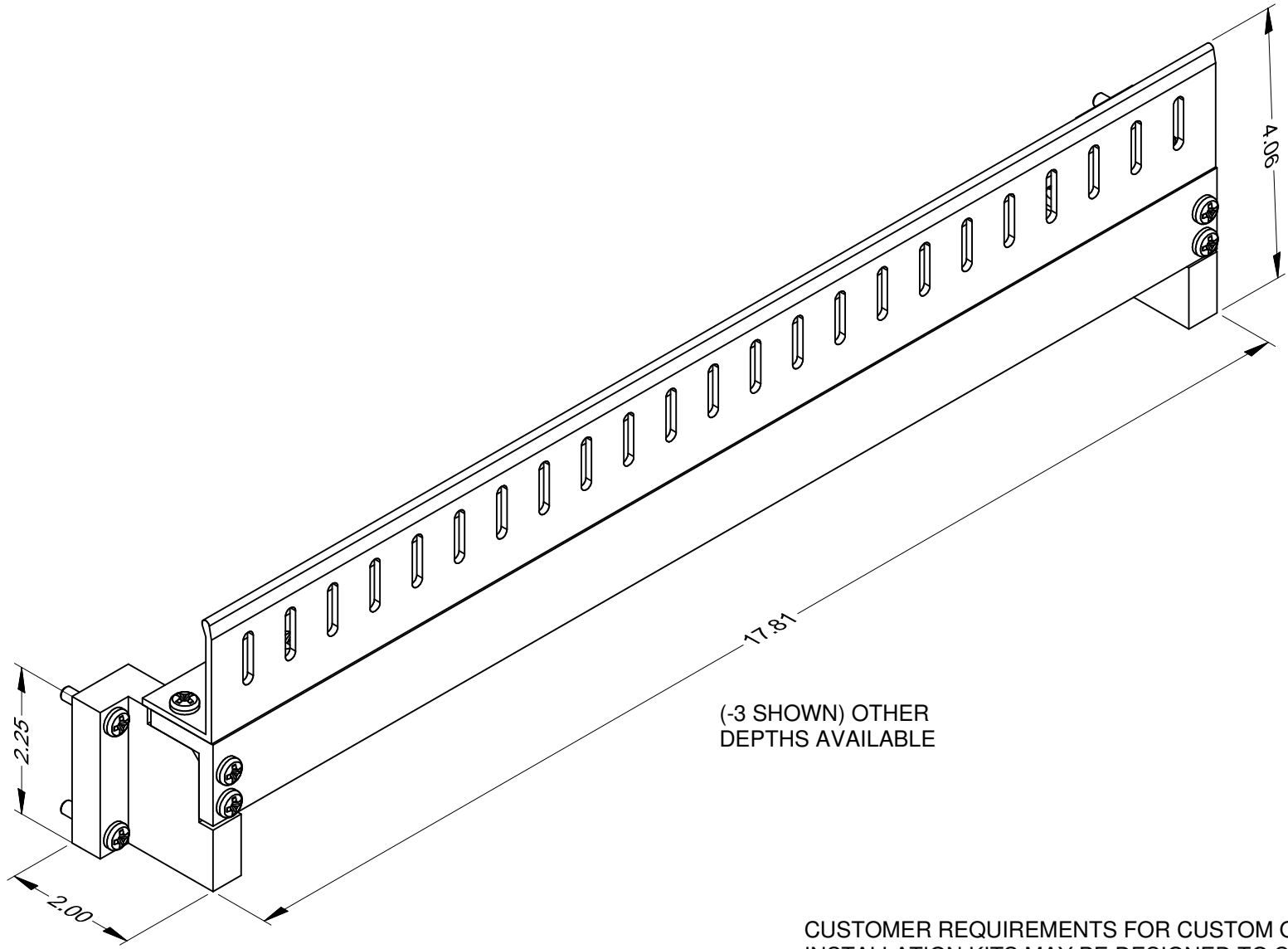
C

B

B

A

A



(-3 SHOWN) OTHER DEPTHS AVAILABLE

CUSTOMER REQUIREMENTS FOR CUSTOM OR MODIFIED INSTALLATION KITS MAY BE DESIGNED TO SATISFY ANY NEW EQUIPMENT REQUIREMENT UPON RECEIPT OF CUSTOMER SPECIFICATION AND/OR INTERFACE CONTROL DRAWINGS.

CABLE SUPPORT ASSEMBLY  
(REAR RETMA RAIL MOUNTING)  
PART NO. 150-256-X

PROPERTY OF A & J MANUFACTURING COMPANY  
THIS DOCUMENT SHALL NOT BE REPRODUCED, COPIED, DISCLOSED OR USED AS A BASIS FOR MANUFACTURING EQUIPMENT WITHOUT WRITTEN PERMISSION FROM A & J MANUFACTURING CO.  
Last Edit: 4/21/2015 8:00

DWG No. 150-256-X  
SH 1  
REV.

4

3

2

1