

4

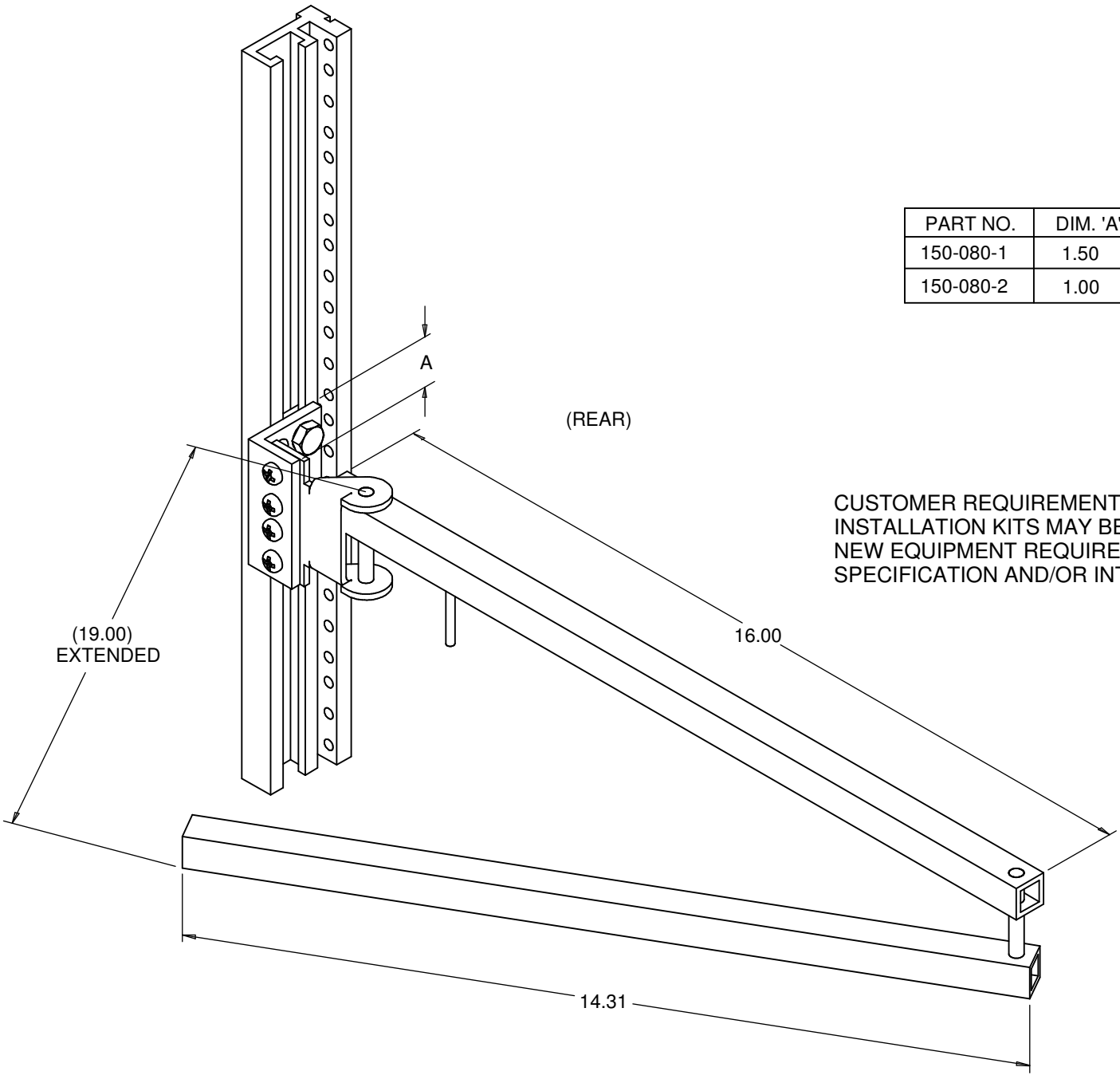
3

2

1

REVISIONS				
ZONE	REV.	DESCRIPTION	DATE	APPROVED BY

PART NO.	DIM. 'A'	EXTENDED DIM.
150-080-1	1.50	19.00
150-080-2	1.00	19.00



(REAR)

CUSTOMER REQUIREMENTS FOR CUSTOM OR MODIFIED INSTALLATION KITS MAY BE DESIGNED TO SATISFY ANY NEW EQUIPMENT REQUIREMENT UPON RECEIPT OF CUSTOMER SPECIFICATION AND/OR INTERFACE CONTROL DRAWINGS.

WIRE AND CABLE MANAGEMENT FOR SLIDING SHELVES & SLIDE MOUNTED EQUIPMENT

CABLE RETRACTOR ASSEMBLY
PART NO. 150-080-X

PROPERTY OF A & J MANUFACTURING COMPANY
THIS DOCUMENT SHALL NOT BE REPRODUCED, COPIED, DISCLOSED OR USED AS A BASIS FOR MANUFACTURING EQUIPMENT WITHOUT WRITTEN PERMISSION FROM A & J MANUFACTURING CO.

Last Edit: 4/21/2015 14:00

4

3

2

1

DWG No: 150-080-21X
 SH 1
 REV