

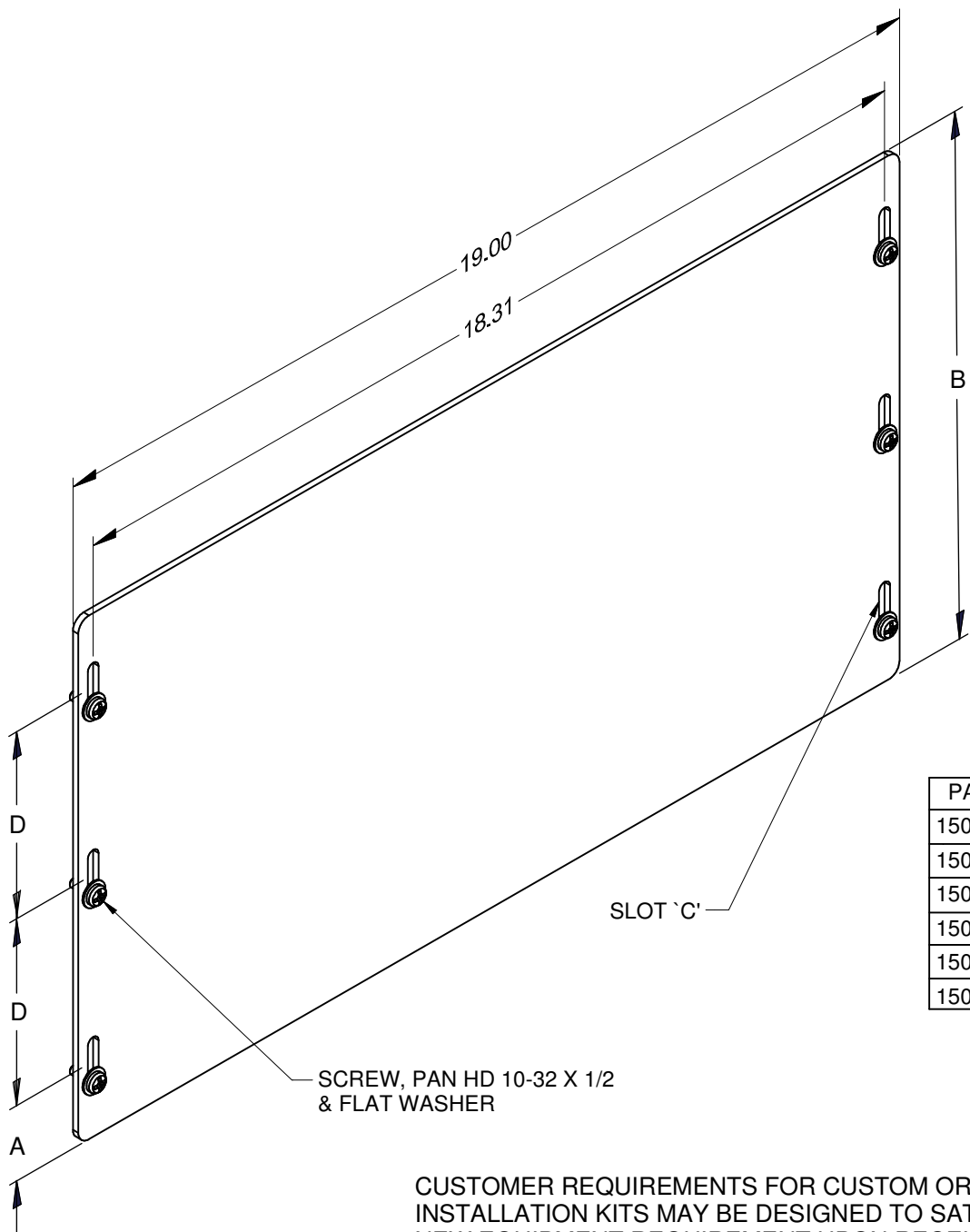
4

3

2

1

REVISIONS				
ZONE	REV.	DESCRIPTION	DATE	APPROVED BY



PART NO.	DIM. 'A'	DIM. 'B'	SLOT DIM. 'C'	DIM. 'D'
150-090-300	1.50	10.50	.25 X 1.00 L	3.75
150-090-301	1.50	10.76	.25 X 1.00 L	3.88
150-090-302	1.50	10.80	.25 X 1.00 L	3.90
150-090-303	1.50	11.00	.25 X 1.00 L	4.00
150-090-304	1.50	11.44	.25 X 1.00 L	4.22
150-090-305	1.50	11.50	.25 X 1.00 L	4.25

(VARIOUS SIZES AVAILABLE)

CUSTOMER REQUIREMENTS FOR CUSTOM OR MODIFIED
 INSTALLATION KITS MAY BE DESIGNED TO SATISFY ANY
 NEW EQUIPMENT REQUIREMENT UPON RECEIPT OF CUSTOMER
 SPECIFICATION AND/OR INTERFACE CONTROL DRAWINGS.

BLANK PANEL ASSEMBLY- 6 SLOTS
 PART NO. 150-090-3XX

PROPERTY OF A & J MANUFACTURING COMPANY
 THIS DOCUMENT SHALL NOT BE REPRODUCED, COPIED, DISCLOSED OR USED AS A BASIS FOR
 MANUFACTURING EQUIPMENT WITHOUT WRITTEN PERMISSION FROM A & J MANUFACTURING CO.

Last Edit: 4/27/2015 13:30

4

3

2

1

DWG No. 150-090-3XX

SH 1

REV

A