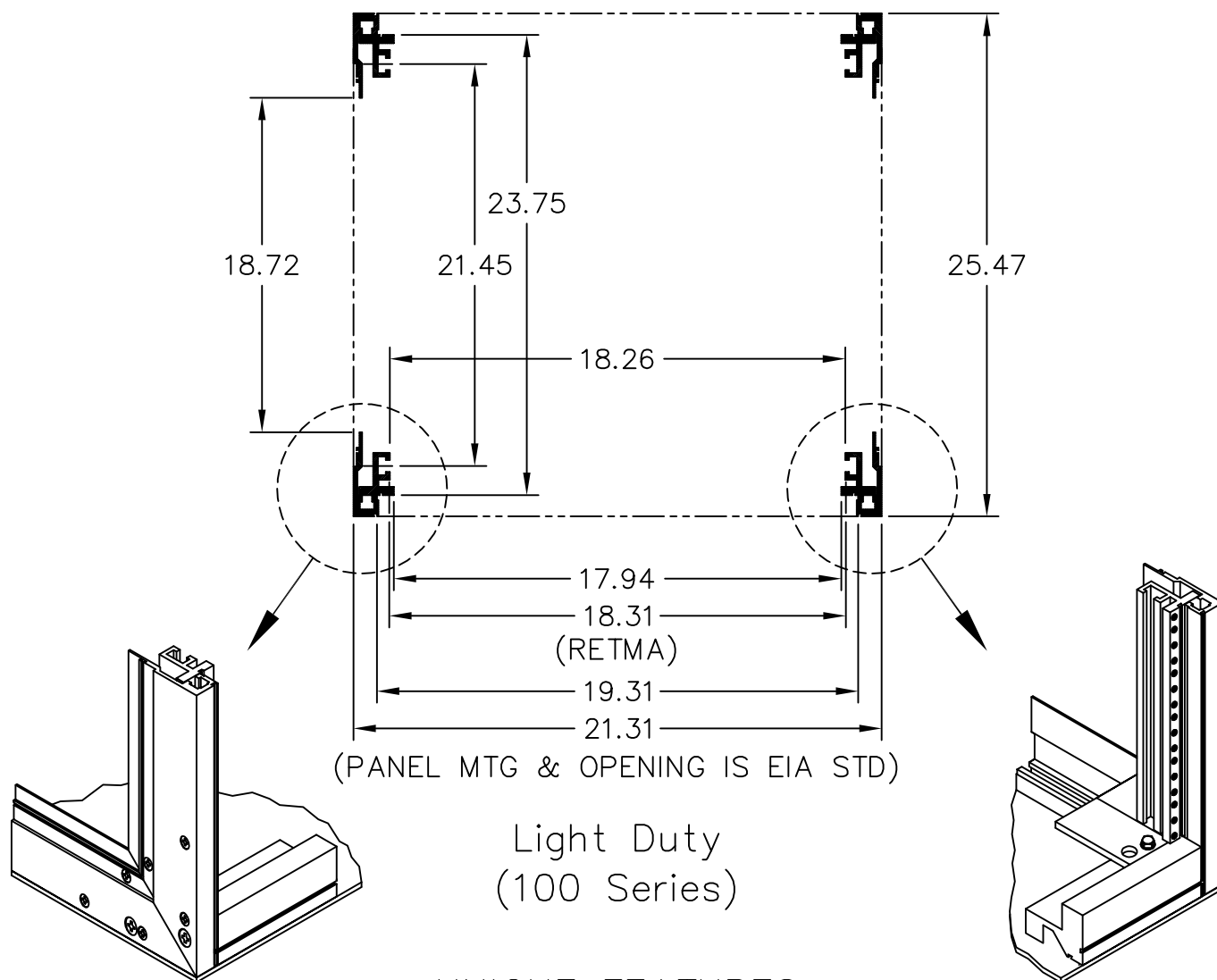


LIGHT DUTY RACKS AND ENCLOSURES

by
A & J MANUFACTURING COMPANY



• PAYLOAD CAPACITY

- MIL-S-901 SHOCK/MIL-STD-167 VIBRATION QUALIFIED WITH 300 lbs. IN RACK CONFIGURATION, 500 lbs. IN ENCLOSURE CONFIGURATION

• FUNCTIONAL

- MANUFACTURED FROM LIGHT WEIGHT, RUGGEDIZED ALUMINUM
- TOTALLY MODULAR CONSTRUCTION
- DIMENSIONAL FLEXIBILITY – CAN BE DESIGNED TO MEET ANY REQUIREMENTS
- FULL EMI/RFI SHIELDING CAPABILITY
- EASY DISASSEMBLY WHEN REQUIRED FOR PASSAGE THROUGH DOORWAYS, HATCHES AND AROUND TIGHT CORNERS
- PROVIDES STRUCTURAL INTEGRITY OF 1:1 AT ALL JOINTS
- FULL COMPLEMENT OF EQUIPMENT MOUNTING KITS